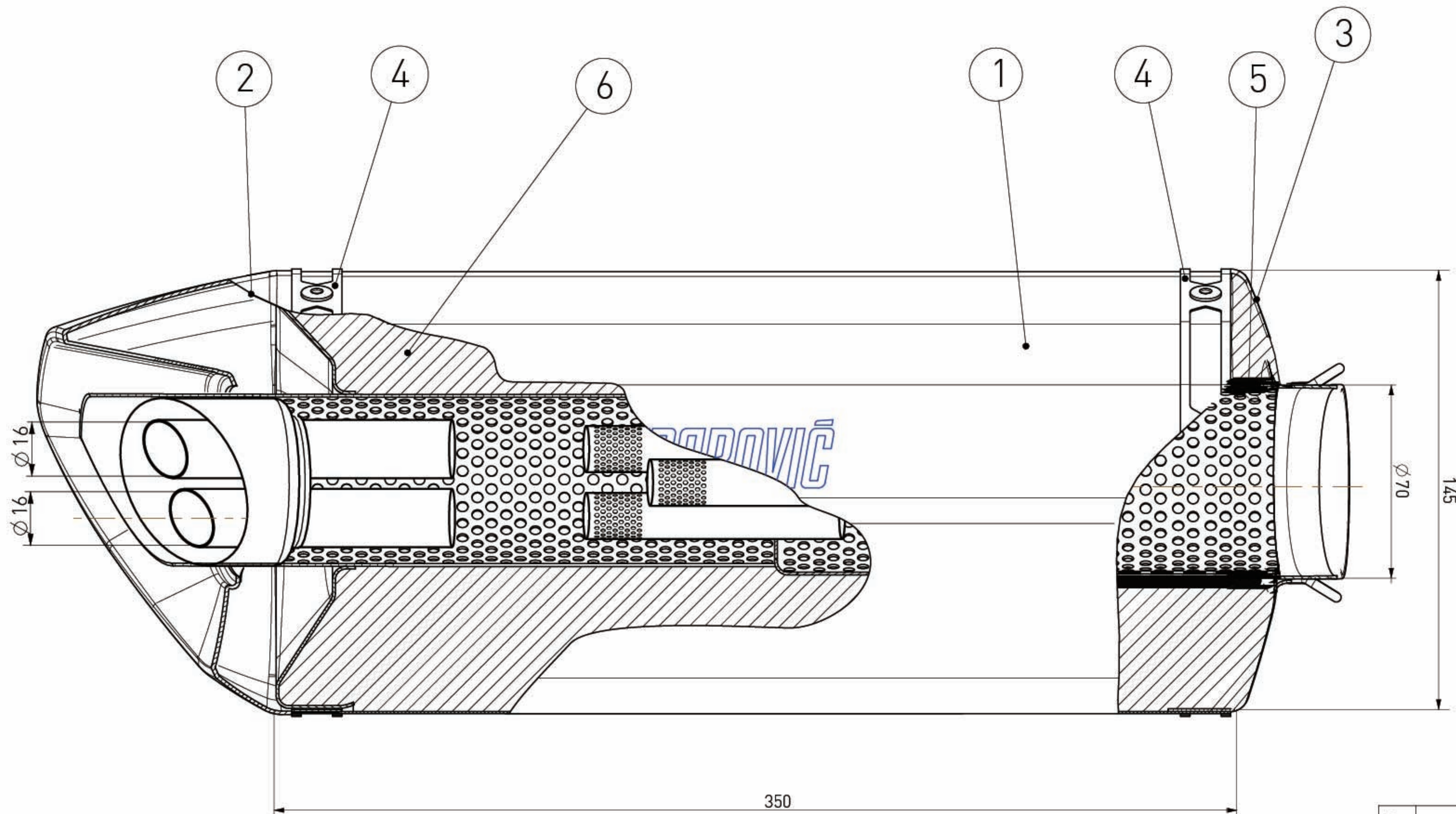


MUFFLER REPAIR KITS	
REPACK	17
SLEEVE	18

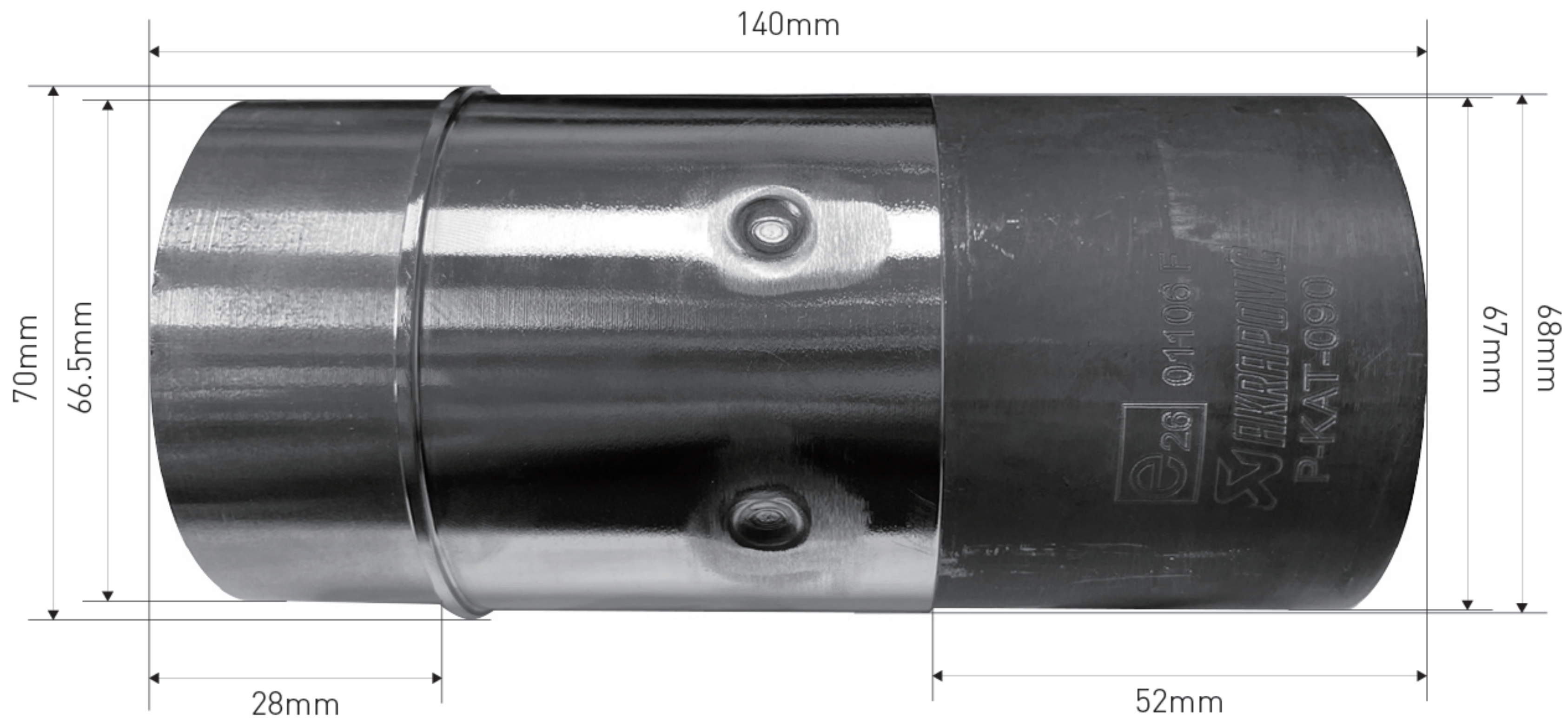
No.	SalesCode	Description	Qty.
1	S-H3SO8-HRSSBL	slip on system	1
2	P-HSH3SO1	heat shield CA Opt.	1
3	M-HR07602SSBL	muffler	1
4	P-KAT-090/1	catalytic converter	1
5	L-H3R1	link pipe SS	1
6	P-HSH3SO1/1	heat shield CA	1
7	V-EC355	end cap CA	1
8	P-FB173	bolt	2
9	P-DR41	washer SS	2
10	P-S2/1	spring	2
11	P-R183	clamp	1
12	P-FN1	nut	2
13	P-FB157	bolt	3
14	P-DRH5/SP	washer	6
15	P-X296	bracket	1
16	P-R188	clamp	1
17	P-RPCK294	repack kit	1
18	P-RKS727R350BL	muffler sleeve kit	1
19	V-TUV268	insert SS	1



Pos.	Description
1	Outer sleeve
2	End cap set
3	Rosette assembly
4	Belt
5	Perforated tube
6	Damping material



OPIS
Muffler cross section slip-ON



Product Name	TITLE : CATALYTIC CONVERTER D67X140
P-KAT-090	PRODUCTION : AKRAPOVIC.CO.,LTD