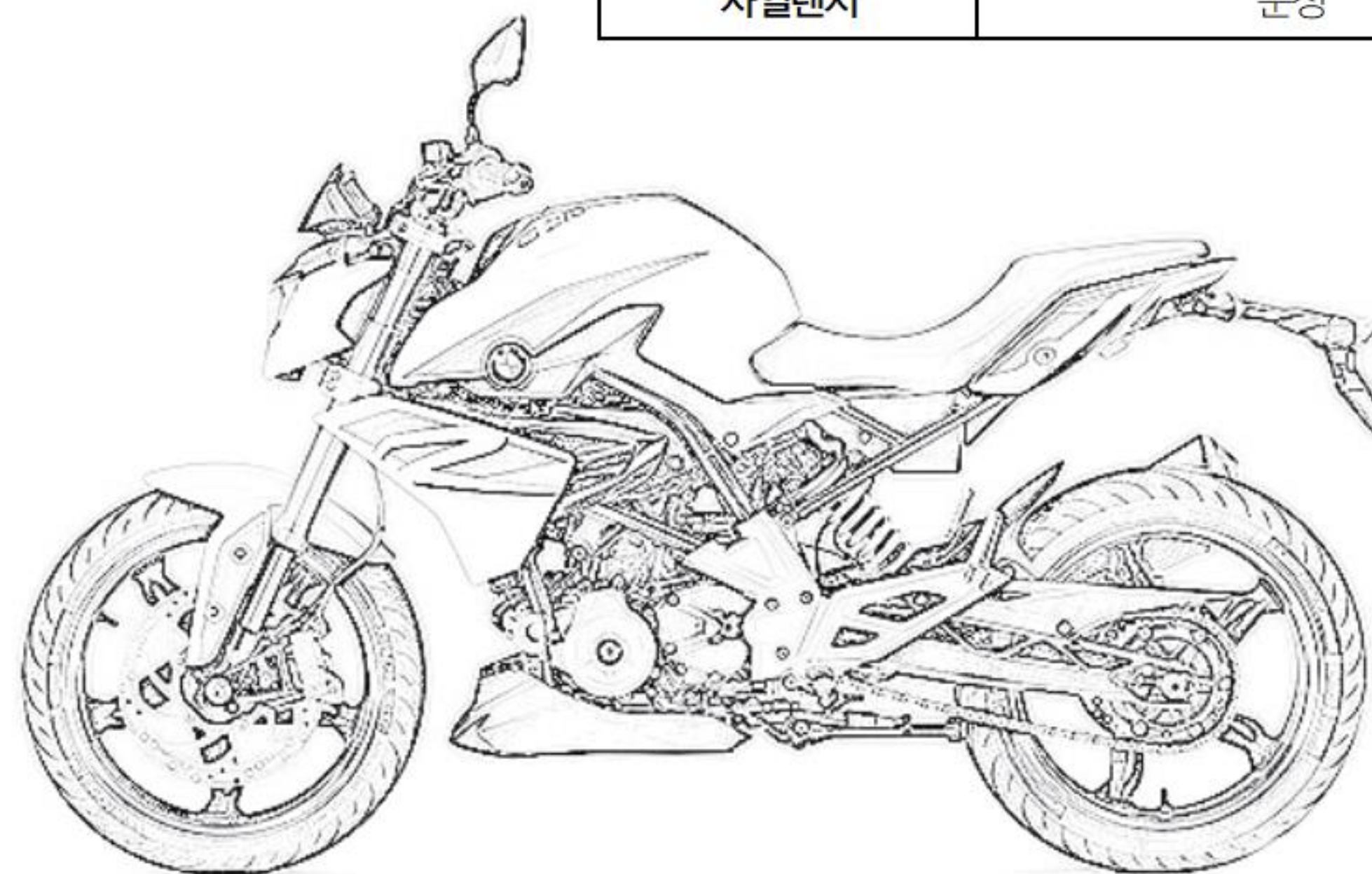


정면



좌측



기종

G310R

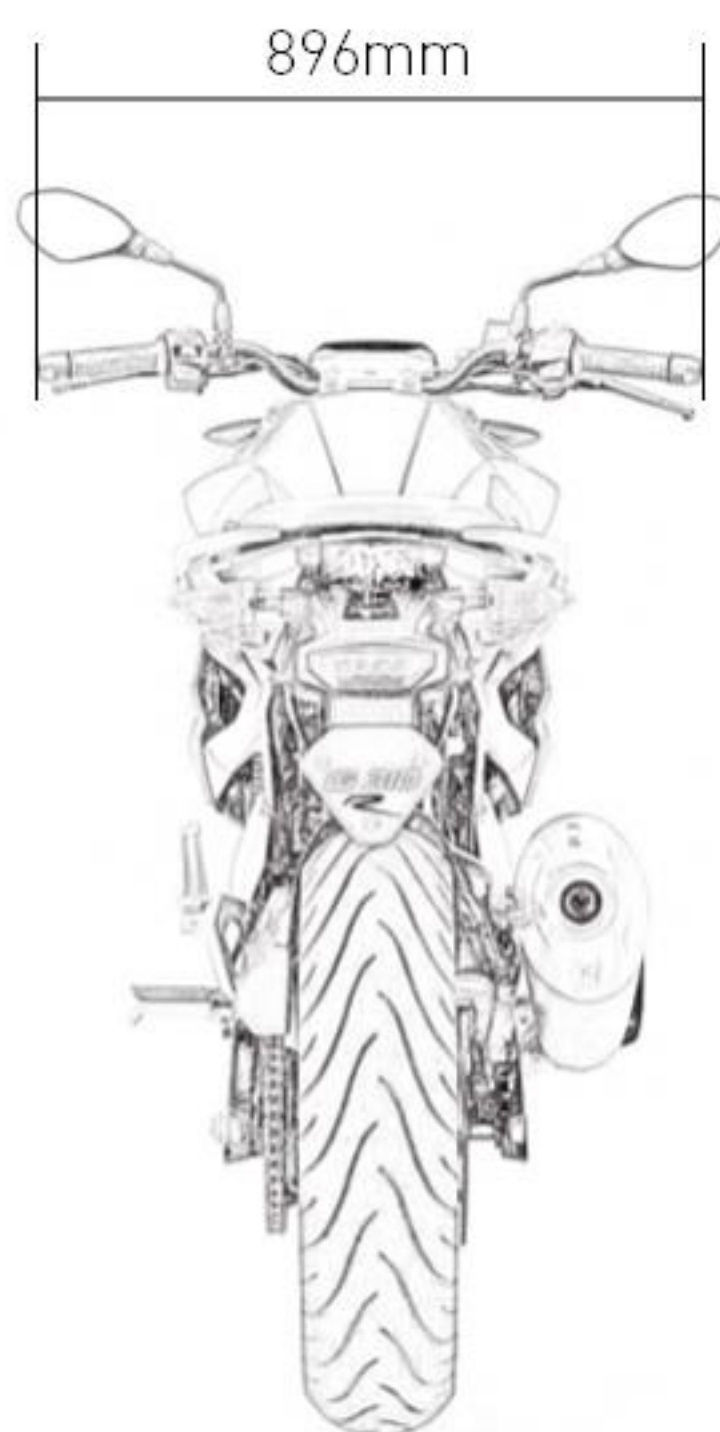
도면명

순정 사면도

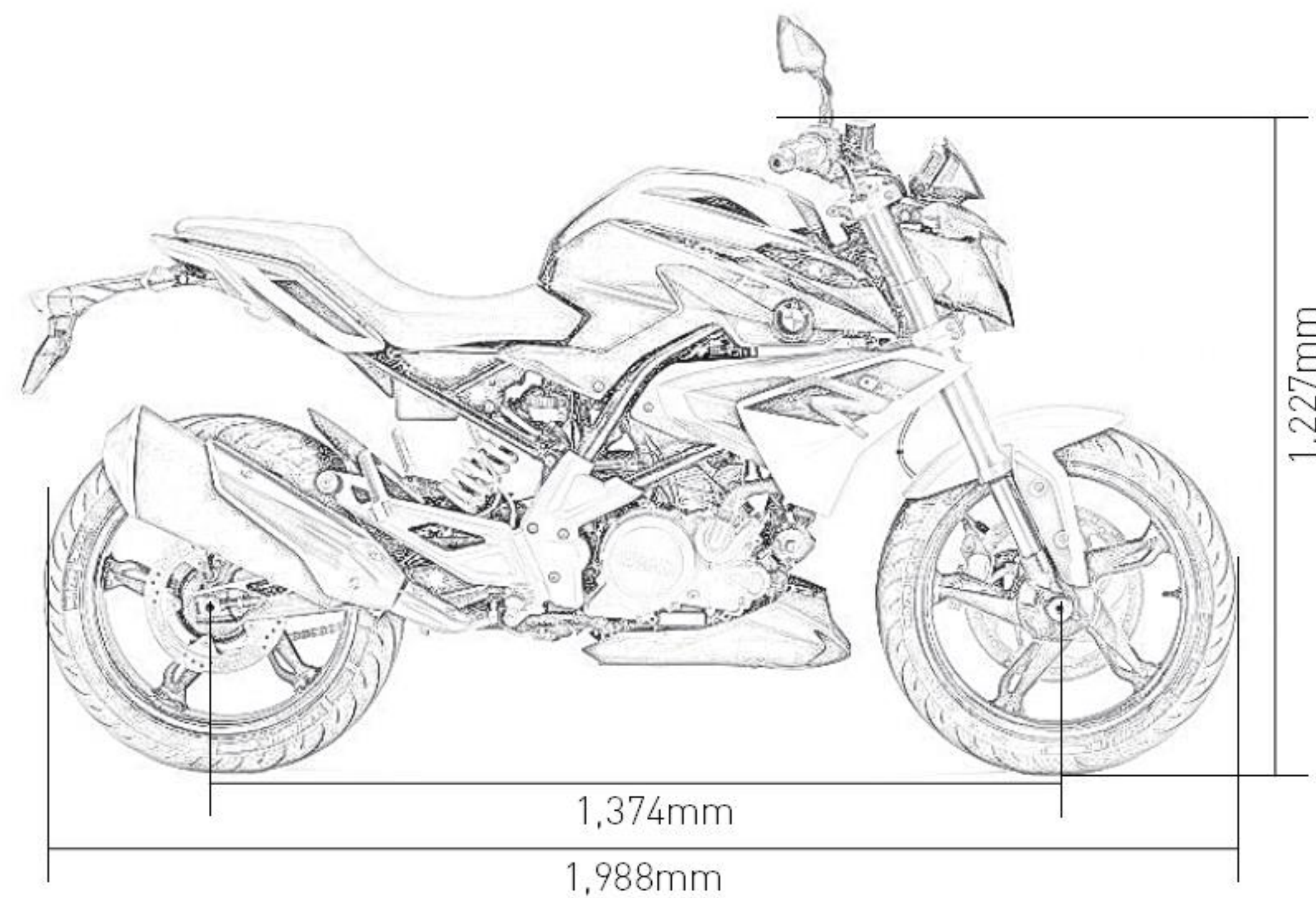
사일렌서

순정

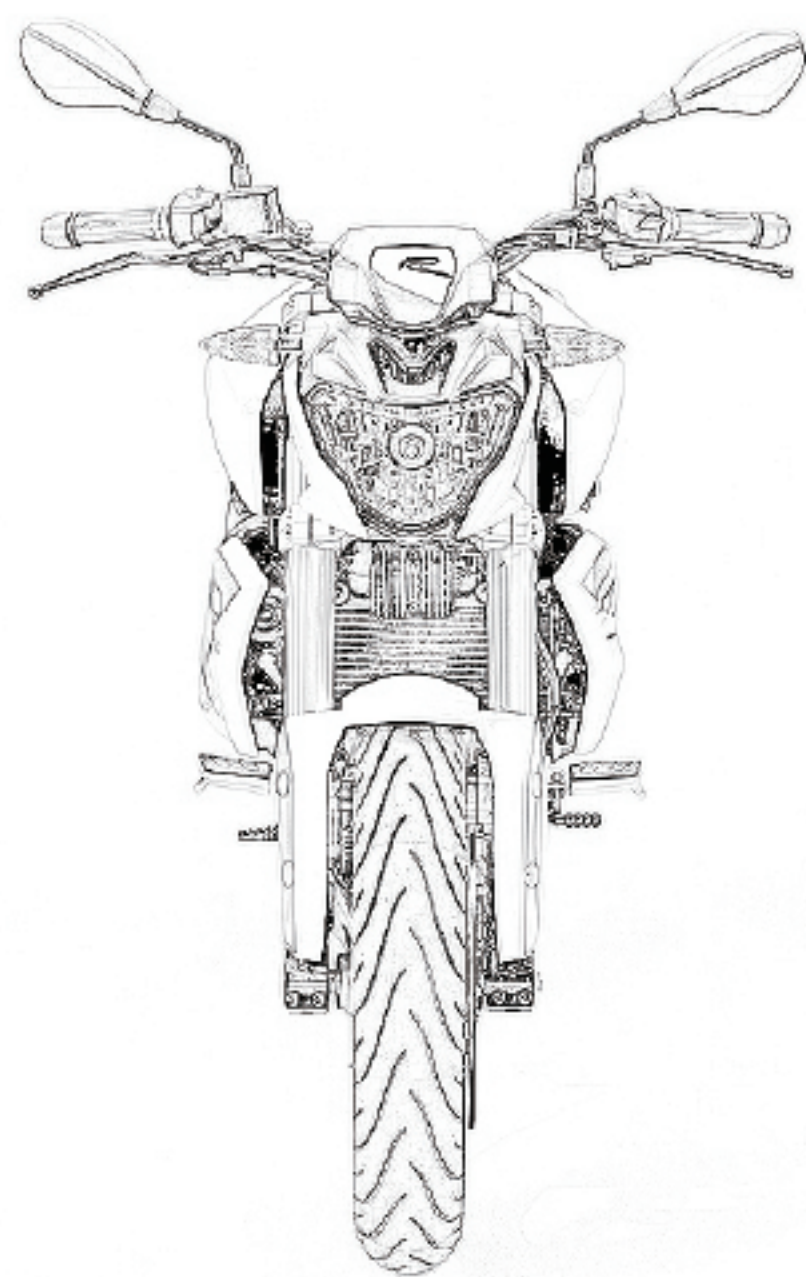
후면



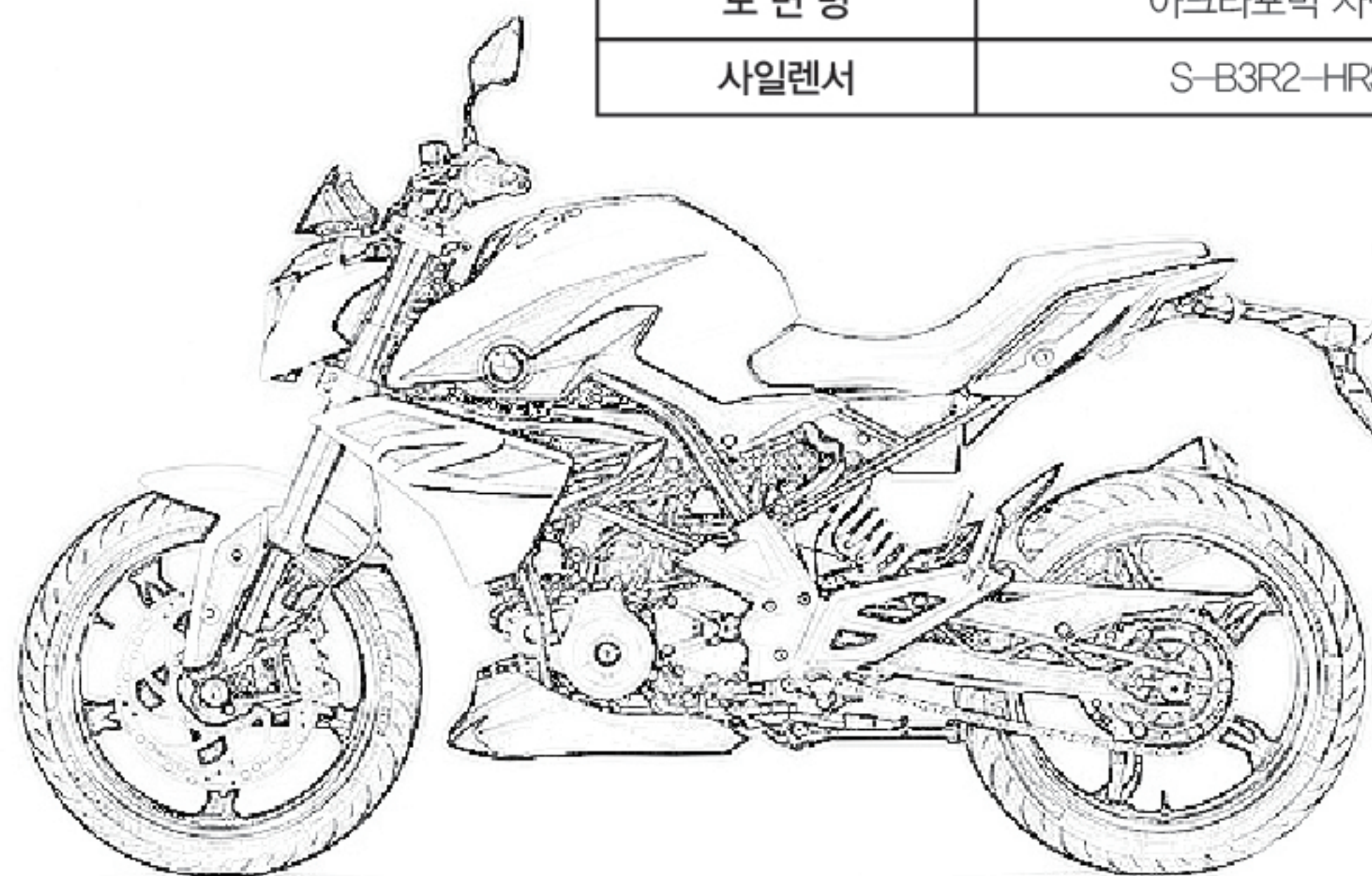
우측



정면

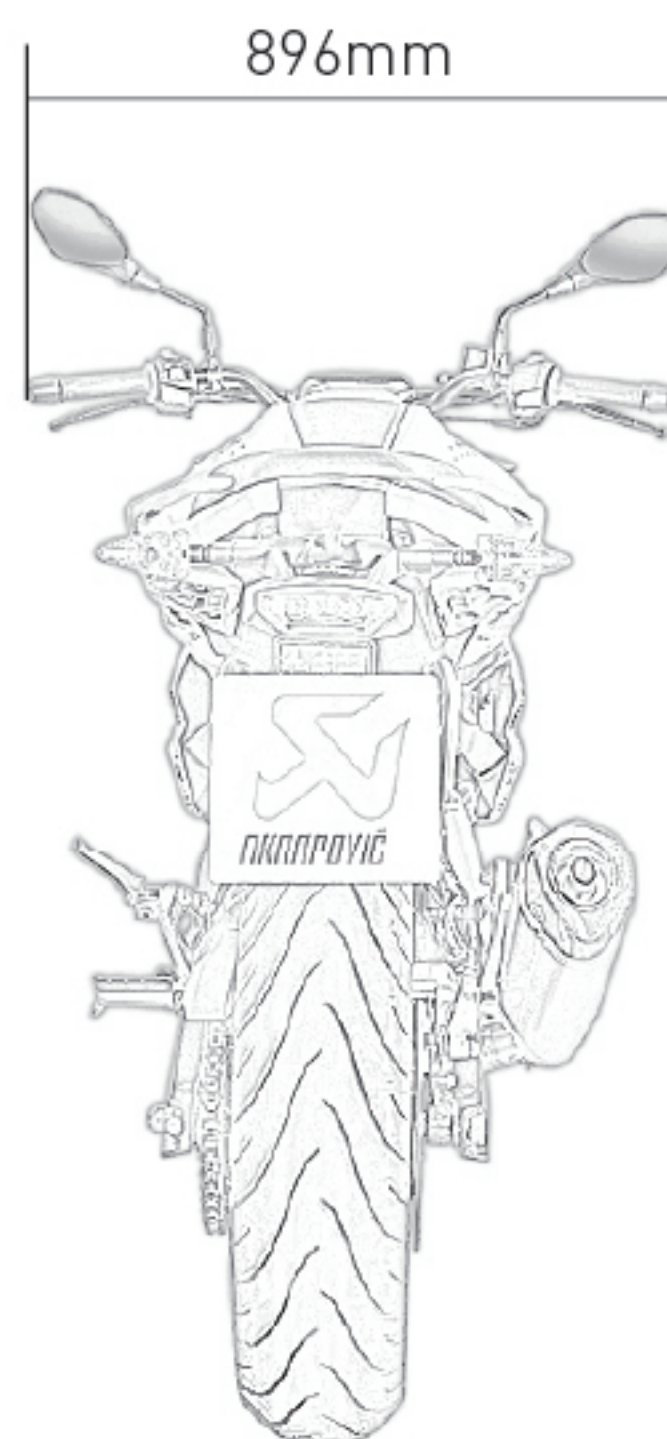


좌측

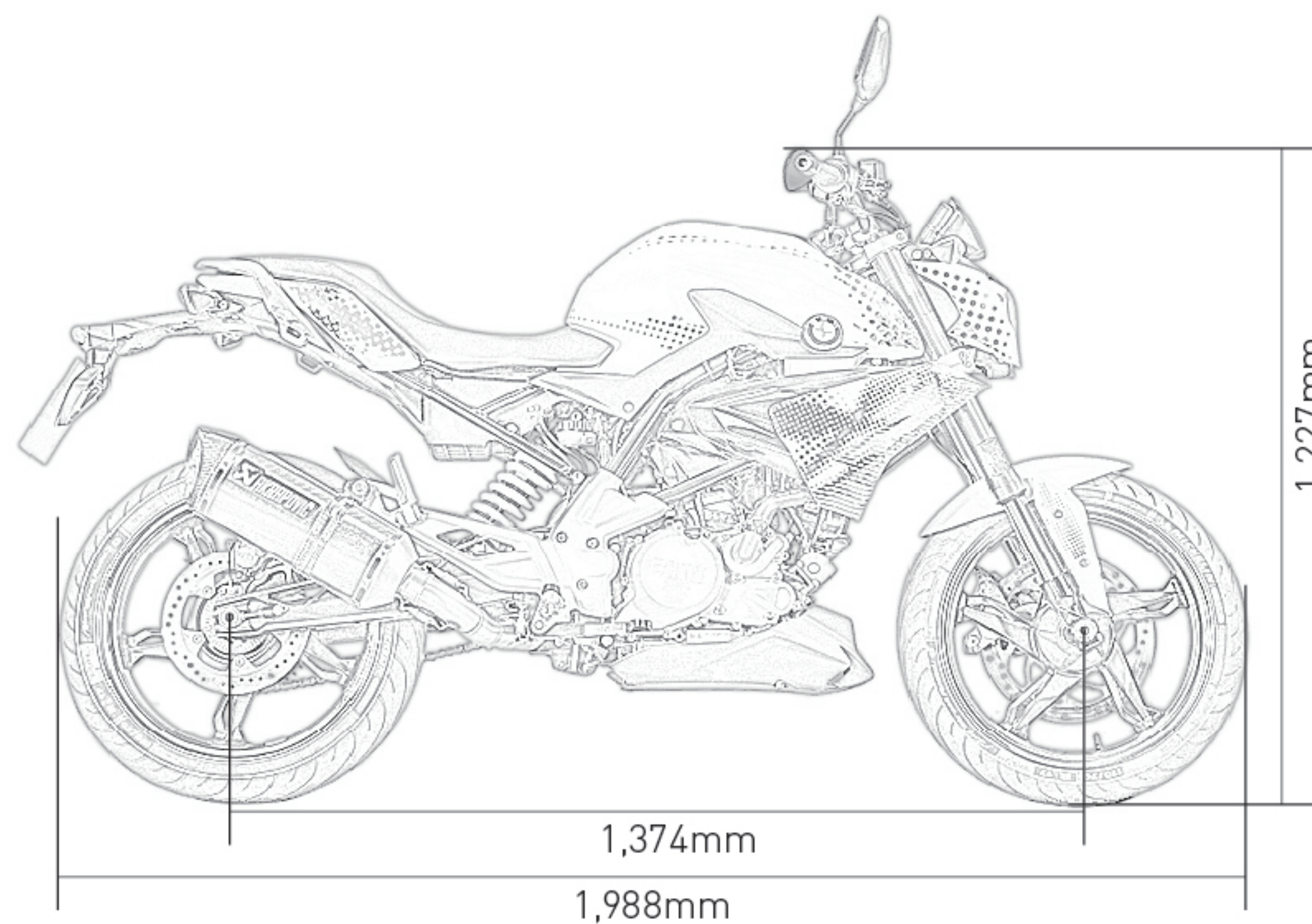


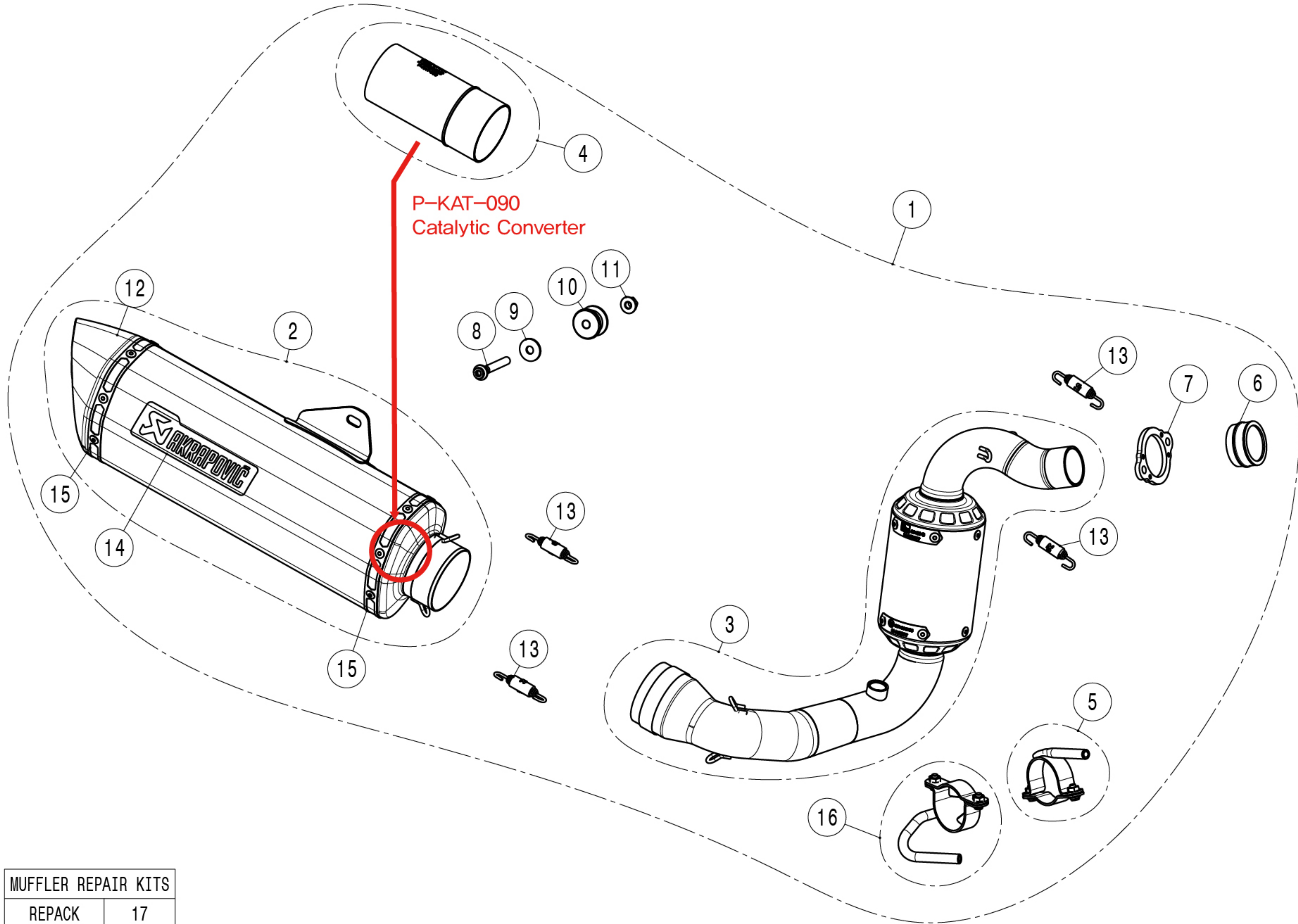
기종	G310R
제조사	AKRAPOVIČ
도면명	아크라포빅 사면도
사일렌서	S-B3R2-HRSS

후면



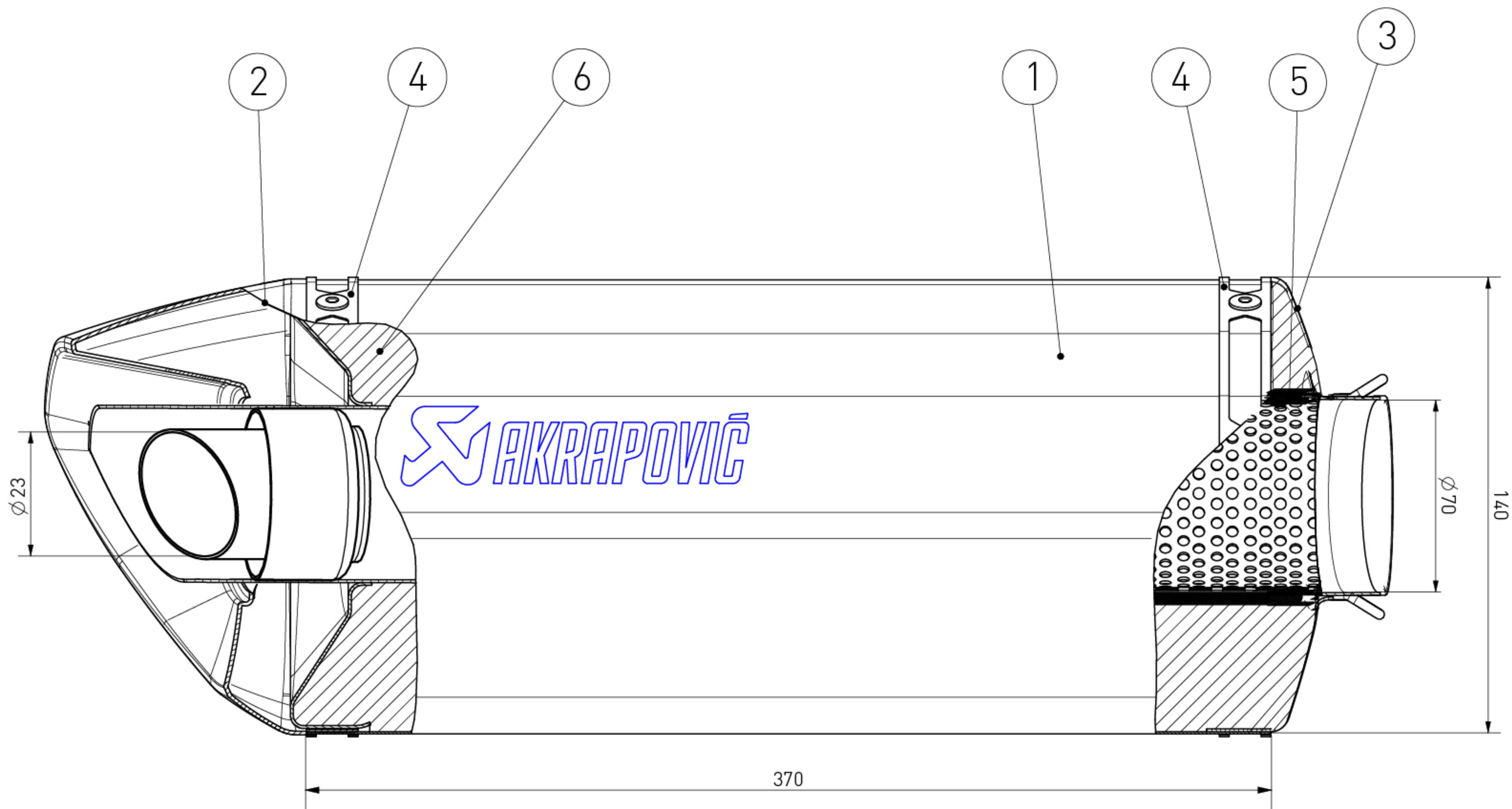
우측



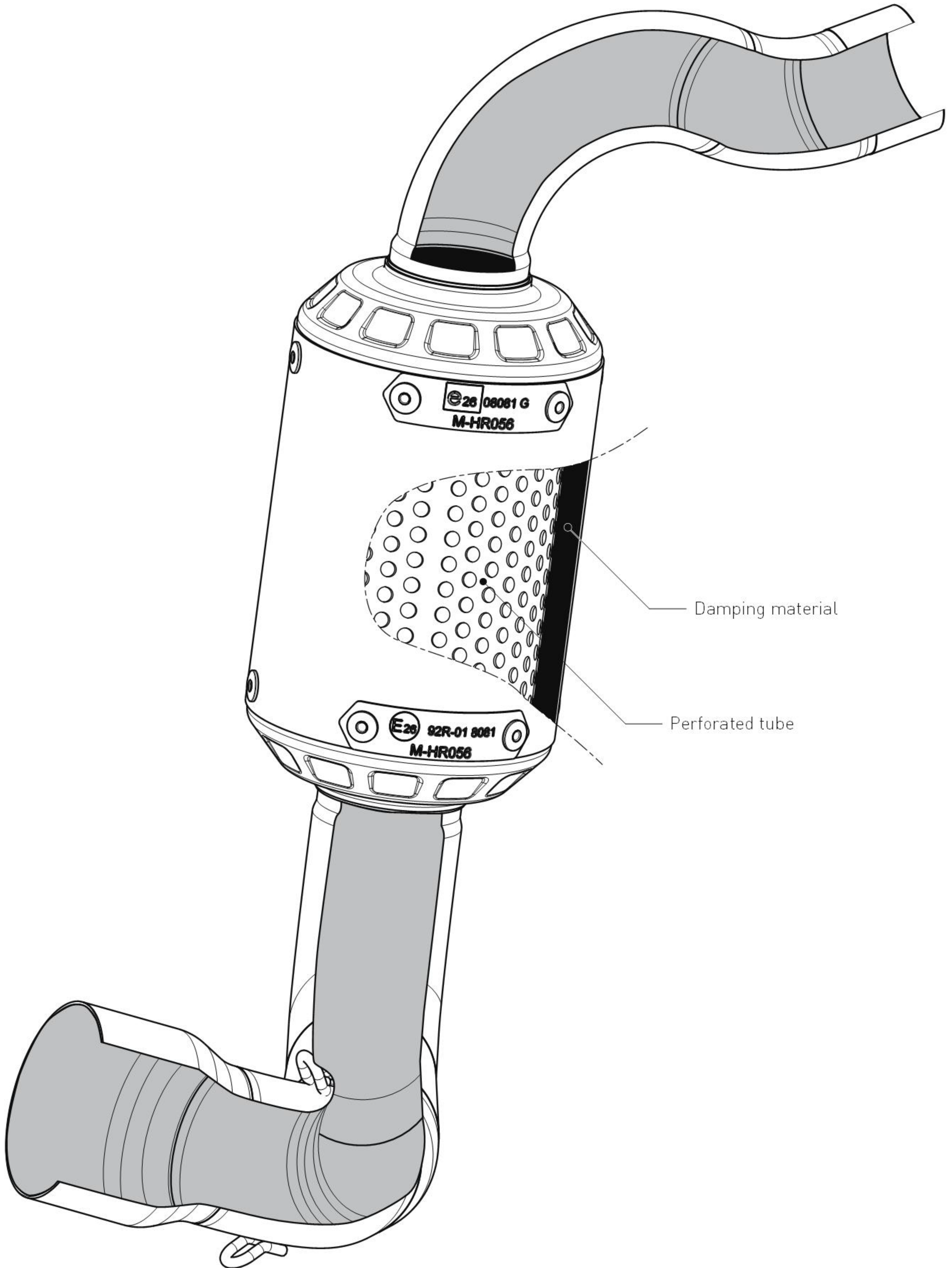


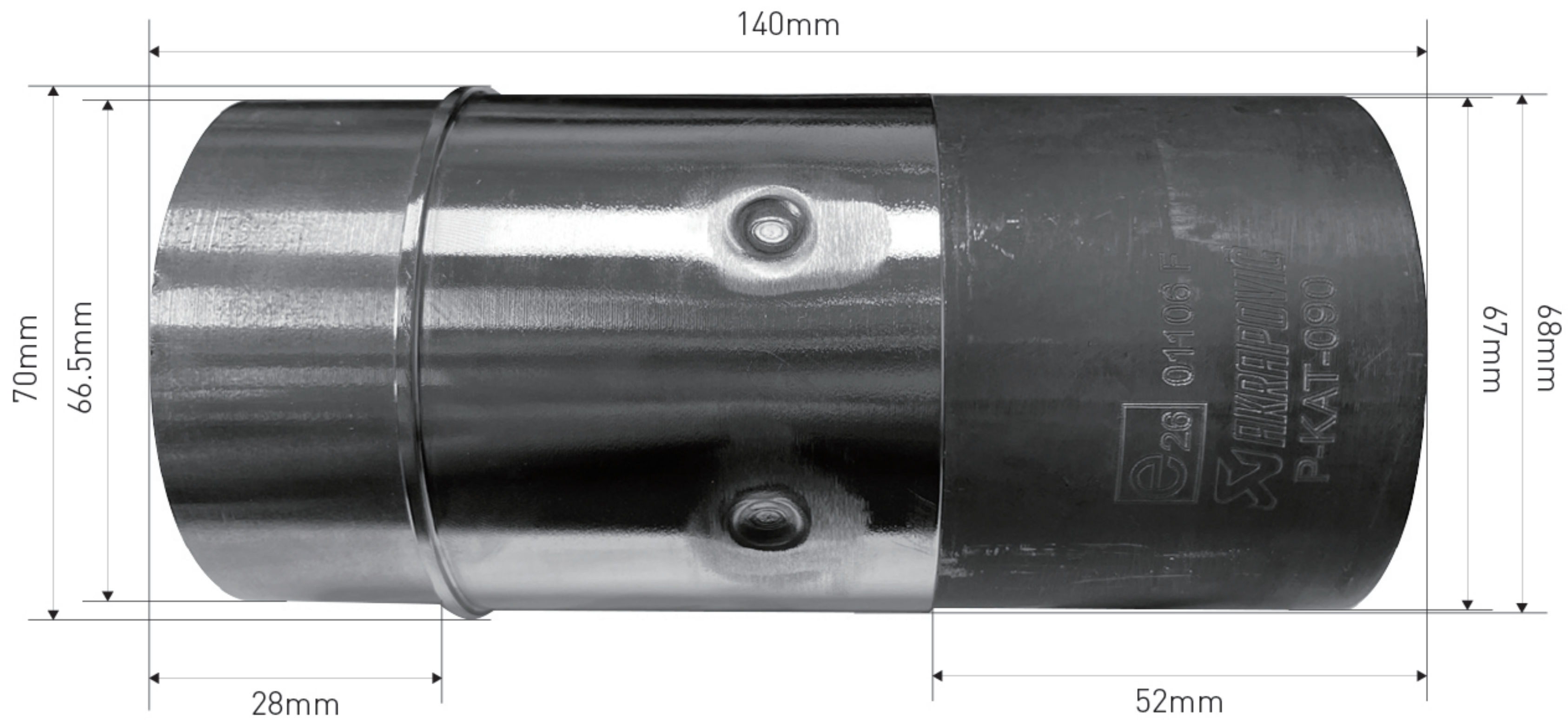
MUFFLER REPAIR KITS	
REPACK	17
SLEEVE	18

No.	SalesCode	Description	Qty.
1	S-B3R2-HRSS	racing system	1
2	M-HR07702SS	muffler SS	1
3	L-B3R3	link pipe SS	1
4	P-KAT-090	catalytic converter	1
5	P-HF1019	fitting kit for G310R	1
6	P-122	inner sleeve SS	1
7	P-F78	flange	1
8	P-FB91	bolt	1
9	P-DR4	washer SS	1
10	P-DR116	spacer bushe AL	1
11	P-FN4	nut	1
12	V-EC290	end cap CA	1
13	P-S2/1	spring	4
14	P-HST2AL	sticker	1
15	P-TT45	belt TI for SS sleeve	2
16	P-HF1115	fitting kit for G310GS	1
17	P-RPCK293	muffler repack kit	1
18	P-RKS726R370	muffler sleeve kit	1
19	V-TUV340	insert SS	1



Pos.	Description
1	Outer sleeve
2	End cap set
3	Rosette assembly
4	Belt
5	Perforated tube
6	Damping material





Product Name	TITLE : CATALYTIC CONVERTER D67X140
P-KAT-090	PRODUCTION : AKRAPOVIC.CO.,LTD