

Please read these instructions carefully and thoroughly before beginning work.

Before installing this accessory, carefully consider whether you have the necessary technical skills and workshop tools to complete the installation properly. Otherwise, any motorcycle retailer will be glad to install this accessory for you.

Dealers: If installing the Engine Guards for a customer, please give him or her this manual. It contains the instructional and reference material needed to properly maintain and use this product.

At time of purchase, report any missing parts directly to ZTechnik. The following information is necessary: BAG NUMBER on outside of plastic fastener bag and DATE STAMP located on the end panel of the outer box.

## ⚠ WARNING

Never ride your motorcycle with loose accessory mounting hardware. Check the hardware for tightness regularly.

Today's motorcycles are built with enough frame rigidity to withstand the moderate loads imposed on them by the foreseeable addition of an accessory(ies). If an accessory(ies) adversely affects your motorcycle's stability, immediately remove the accessory(ies). Do not ride a motorcycle that exhibits unsafe handling traits.

Have experienced service personnel correct any problem before riding with the accessory(ies) installed. For further questions concerning handling problems associated with an accessory(ies), contact your dealer, motorcycle manufacturer, or accessory manufacturer.

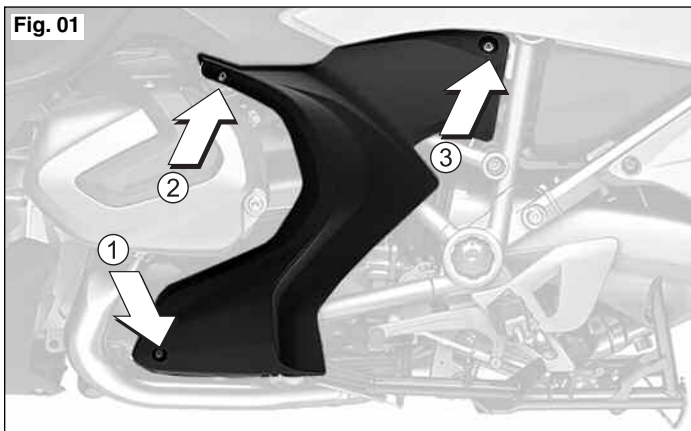
### PACKAGE CONTENTS

Index	Item Description	Part No.	Qty.
<b>Engine Guards</b>			
A	Engine Guard, Left, Steel, Powdercoated	90-970530-000	1
B	Engine Guard, Right, Steel, Powdercoated	90-970531-000	1
A	Engine Guard, Left, Stainless, Electropolished	90-970528-000	1
B	Engine Guard, Right, Stainless, Electropolished	90-970529-000	1
<b>BAG#1334</b>			
C	Nut, Flange, M8-1.25", Nylon Insert	42-433036-000	2
D	Washer, Flat, M8, Stainless	49-490317-000	2
E	Spacer, 1.18", Chrome	49-495535-000	1
F	Spacer, .875", Chrome	49-495562-000	1
G	Hex Screw, M8-1.25X65, Stainless	51-515768-000	1
H	Hex Screw, M8-1.25X60, Stainless	51-515763-000	1
I	Hex Screw, M10-1.5X30, Stainless w/ Threadlock	51-515831-000	2



### TOOLS REQUIRED

- T-25 Torx T-Handle or Socket
- T-35 Torx T-Handle or Socket with 8-Inch Extension
- T-50 Torx T-Handle or Socket with 4-Inch Extension
- 6mm Allen T-Handle or Socket
- 8mm Allen T-Handle or Socket
- 12mm Box End Wrench
- 4mm Hex Key



### PREPARATION

Place vehicle securely on its centerstand. Begin preparations for left side of motorcycle.

### INSTALLATION; R1250RT MODELS

*(If installing Engine Guards on an R1250R or R1250GS, skip these steps and go to Page 3.)*

1. Remove the three M5 Body Screws from the motorcycle's left Engine Spoiler with a T-25 Torx T-Handle Wrench or Socket, and remove Engine Spoiler from motorcycle.

**Fig. 01**

**NOTE: Retain all OEM hardware for later reassembly of body sections.**

Fig. 02

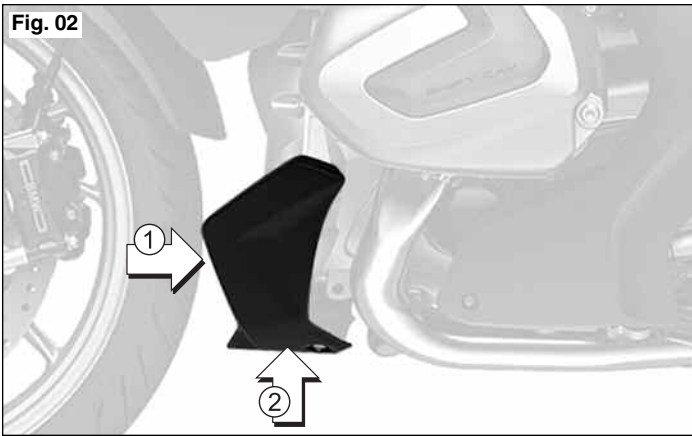


Fig. 03



Fig. 04

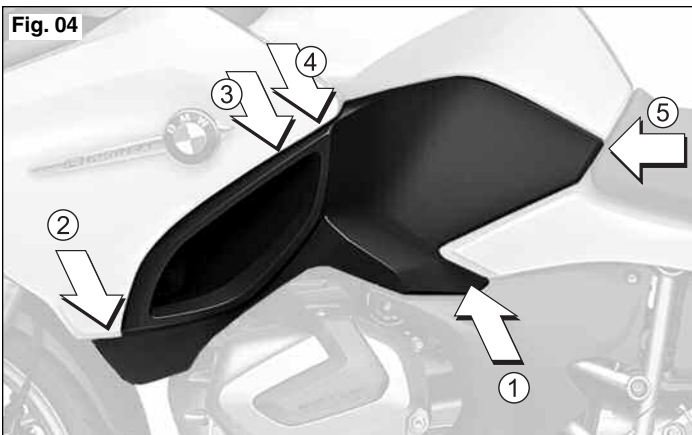


Fig. 05



**INSTALLATION; R1250RT MODELS, CONT'D.**

2. Remove the two M5 Body Screws (one on inside, one on bottom) from the motorcycle's left Trim Cover, and remove Trim Cover from motorcycle.

**Fig. 02**

3. Remove the two M5 Body Screws from the front of the motorcycle's left Side Cover. Gently release the Side Cover's two bottom plugs from their body grommets (A) by pulling outwards

The Side Cover is secured at the rear by two tabs that fit into two body slots. Remove the Side cover by sliding it off in the direction indicated (B).

**Fig. 03**

4. Remove the five M5 Body Screws from the motorcycle's left Knee Guard. After removing the first three, the fourth is accessible beneath the Knee Guard by bending the front and top slightly outward.

To remove the fifth and last Body Screw, unlock and remove the rider seat to gain access.

Remove the left Knee Guard from the motorcycle.

**Fig. 04**

5. If your motorcycle is equipped with BMW Lower Spotlights, use a T-35 Torx T-Handle or a T-35 Torx Socket with an 8-Inch Extension to remove it. Turn the motorcycle's front wheel to the left to give yourself room to work.

**Fig. 05**

Once the T-35 Spotlight Mounting Screw is removed from the bracket's threaded receptacle, the Spotlight will be loose. Just let it hang down out of the way for now.

**Fig. 06**

***This concludes the special steps required for the R1250RT. Subsequent installation steps are common for all R1250 models.***



Fig. 07

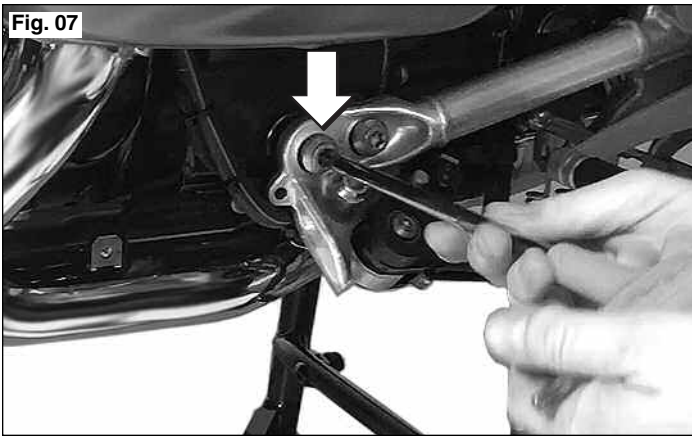


Fig. 08



Fig. 09



Fig. 10



## INSTALLATION; CONT'D.

6. Using a T-50 Torx T-Handle or T50 Socket with 4-Inch Extension, remove the OEM bolt from the lower frame section behind the exhaust header. Set bolt aside for later reinstallation. **Fig. 07**

7. Place the Left Engine Guard into position for final mounting, aligning the mount holes with the upper mount, lower front pre-threaded mount, and rear frame mount. **Fig. 08**

8. Align the Engine Guard upper mount bracket with the motorcycle frame's upper mount hole. Maintain gap as shown. **Fig. 09**

9. Insert **(E) Spacer, 1.18", Chrome** between the Engine Guard mount bracket and the frame's upper mount hole. Hold Spacer in position. **Fig. 10**

10. Place one **(D) Washer, Flat, M8, Stainless** onto the **(G) Hex Screw, M8-1.25x65, Stainless** and thread it through the Engine Guard upper mount bracket, the Spacer, and through the motorcycle frame's upper mount hole. **Fig. 11**

## FOR R1250RT MODELS WITH BMW LOWER SPOTLIGHTS

Reposition the Spotlight's mount bracket to its original location behind the frame's upper mount hole. Thread the **(G) Hex Screw, M8-1.25x65, Stainless** into the mount bracket's threaded receptacle.

## FOR R1250R AND R1250GS MODELS

Thread a **(C) Nut, Flange, M8-1.25", Nylon Insert** onto the end of the **(G) Hex Screw, M8-1.25x65, Stainless**, behind the motorcycle frame's upper mount hole.

Fig. 11

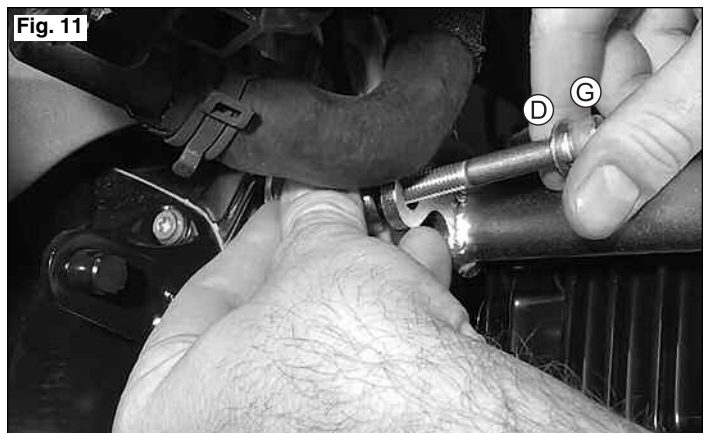




Fig. 12



Fig. 13

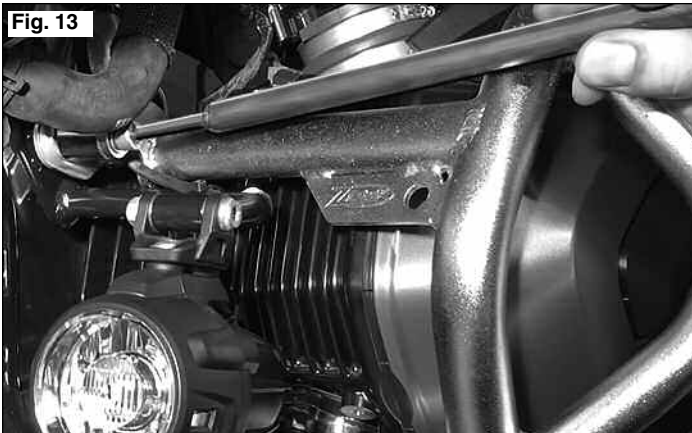


Fig. 14



Fig. 15



## INSTALLATION; CONT'D.

11. Turn the **(G) Hex Screw, M8-1.25x65, Stainless** until it is finger-tight.

Fig. 12

12. Using a 6mm T-Handle Allen Wrench or 6mm Allen Socket with 8-Inch Extension along with a 12mm Box End Wrench, slightly tighten the **(G) Hex Screw, M8-1.25x65, Stainless** to the **(C) Nut, Flange, M8-1.25", Nylon Insert** (or the BMW Lower Spotlight mount bracket).

Fig. 13

13. Inset one **(I) Hex Screw, M10-1.5x30, Stainless w/ Threadlocker** through the lower front Engine Guard mounting bracket and into the threaded hole of the motorcycle's frame. Using an 8mm T-Handle Allen Wrench or 8mm Allen Socket, tighten the Hex Screw slightly.

Fig. 14

14. Using a T-50 Torx T-Handle or T50 Socket with 4-Inch Extension, replace the OEM bolt into the lower frame section behind the exhaust header, and tighten slightly.

Fig. 15

15. Double-check the Engine Guard's position for any obstructions. On R1250RT models, check the mounting angle of the Lower Spotlight bracket.

Now, using the same tools from Steps 12-14, tighten all three mount points firmly and securely.

You are now ready to move to the right side of the motorcycle. All mounting instructions are the same as from the left side, except the **(E) Spacer, 1.18", Chrome** will be substituted with the **(F) Spacer, .875", Chrome** and the **(G) Hex Screw, M8-1.25x65, Stainless** will be substituted with the **(H) Hex Screw, M8-1.25x60, Stainless**.

If you are completing installation on an R1250RT model, all OEM body panels and M5 Body Screws will now be re-installed in the reverse order from Pages 1-2, Steps 1-4.

### NOTE:

Your ZTechnik Engine Guards have protective End Caps pre-installed at the factory. The End Cap interior expanders are made from rubber for a tight, waterproof fit. In colder weather, the rubber may shrink slightly, so at the beginning and at the end of your riding season, use a 4mm hex key to check all four End Caps for tightness.