



## PASSENGER ARMRESTS FOR TRI-GLIDE

### 8959

### PARTS INCLUDED

- 1 Right Side Armrest Hoop
- 1 Left Side Armrest Hoop
- 1 Left Armrest Pad Assembly
- 1 Right Side Armrest Pad Assembly with Drink Holder
- 1 Hardware Kit Containing
  - 2 5/16"-24 X 1 1/4" Hex Head Cap Screws
  - 2 1.5 OD X .325 ID X .079 Thick Flat Washers (**Large Diameter White**)
  - 4 M8 Flat Washers- 8mmX23mmX.079 Thick (**Small Diameter White**)
  - 4 M8 Flat Washers- 8mm X 23mm X 1.5mm Thick (**Steel**)
  - 2 5/16"-24 Nylock Nuts
  - 2 Black Rubber Threaded Plugs (bolt covers)
  - 4 1/4"-20 X 1-1/2" Button Socket Head Cap Screws
  - 4 1/4"-20 X 7/8" Button Socket Head Cap Screws
  - 4 1/4" Flat Washers
  - 4 1/4"-20 Nylock Nuts
  - 1 Offset 1/2" Wrench
  - 2 1/4"-20 x 5/8" Oval Head Screws
- 1 Installation Instructions

Please read and understand entire instructions before starting installation.

### THANK YOU FOR CHOOSING KÜRYAKYN!

**IN ORDER TO PROTECT YOU AND OTHERS FROM POSSIBLE INJURY AND/OR PROPERTY DAMAGE OR LOSS, PLEASE PAY CLOSE ATTENTION TO ALL INSTRUCTIONS, WARNINGS, CAUTIONS AND NOTICES REGARDING THE USE AND CARE OF THIS PRODUCT.**



**THIS INDICATION ALERTS YOU TO THE FACT THAT IGNORING THE CONTENTS DESCRIBED HEREIN CAN RESULT IN POTENTIAL DEATH OR SERIOUS INJURY.**



**This indication alerts you to the fact that ignoring the contents described herein may negatively affect product performance and functionality.**



**IF INSTALLING THIS PRODUCT FOR ANOTHER PARTY, PLEASE MAKE SURE THEY RECEIVE THIS COPY OF THE INSTALLATION INSTRUCTIONS SO THEY ARE AWARE OF THE IMPORTANT INFORMATION CONTAINED IN THEM.**

### TOOLS SUGGESTED

Set of Hex wrenches, Set of Combination Wrenches, Phillips Screwdriver

**STRICTLY OBSERVE THE FOLLOWING GUIDELINES IN ORDER TO USE THE PRODUCT PROPERLY AND AVOID POTENTIALLY DANGEROUS ACCIDENTS.**

### STEP 1

Read and understand all steps in the instructions before starting the installation. Park the motorcycle on a hard, level surface and turn off the ignition.

### CUSTOMER SERVICE

877.370.3604 (toll free)

### INSTALLATION QUESTIONS

techsupport@kuryakyn.com  
or call 715.247.2983

### LIMITED WARRANTY

Kuryakyn warrants that any Kuryakyn products sold hereunder, shall be free of defects in materials and workmanship for a period of one (1) year from the date of purchase by the consumer excepting the following provisions:

- Kuryakyn shall have no obligation in the event the customer is unable to provide a receipt showing the date the customer purchased the product(s).
  - The product must be properly installed, maintained and operated under normal conditions.
  - Kuryakyn makes no warranty, expressed or implied, with respect to any gold plated products.
  - Kuryakyn shall not be liable for any consequential and incidental damages, including labor and paint, resulting from failure of a Kuryakyn product, failure to deliver, delay in delivery, delivery in nonconforming condition, or for any breach of contract or duty between Kuryakyn and a customer.
- Kuryakyn products are often intended for use in specific applications. Kuryakyn makes no warranty if a Kuryakyn product is used in applications other than intended.

• Kuryakyn electrical products are warranted for one (1) year from the date of purchase by the consumer. L.E.D.'S contained in components of Kuryakyn products will be warranted for defects in materials and workmanship for 3 years from the date of purchase where as all other components shall be warranted for one(1) year. This includes, but is not limited to; control modules, wiring, chrome & other components.

• Kuryakyn makes no warranty of any kind in regard to other manufacturer's products distributed by Kuryakyn. Kuryakyn will pass on all warranties made by the manufacturer and where possible, will expedite the claim on behalf of the customer, but ultimately, responsibility for disposition of the warranty claim lies with the manufacturer.

### ABOUT OUR CATALOG

For purchasing Kuryakyn® products, you can receive a complete catalog free of charge.

Send the Proof-of-Purchase below with your address to: Kuryakyn, P.O. Box 339, Somerset, WI 54025.

Please indicate either Accessories Catalog for Harley-Davidson® or GL & Metric Cruisers.

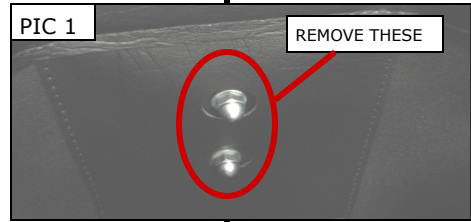
Be sure to ask your local dealer about other Kuryakyn® products, the motorcycle parts and accessories designed for riders by riders.

©2005 Kuryakyn USA® All Rights reserved.

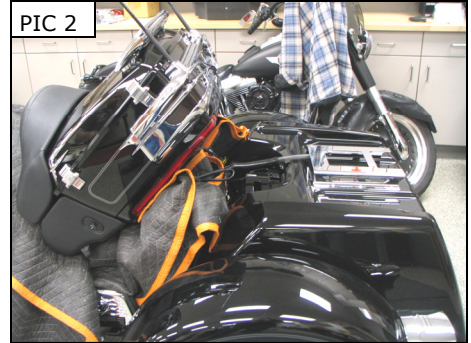


kuryakyn.com

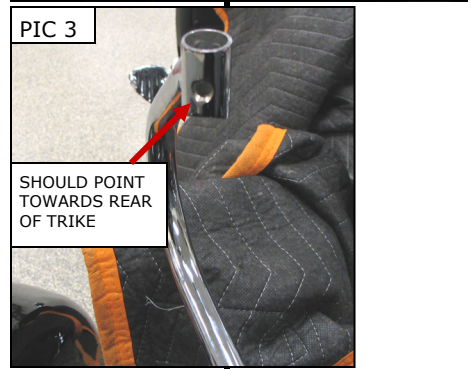
**STEP 2** Remove the seat. Remove the liner from the inside of the Tour Pak by removing the two acorn nuts inside the pouch and lifting the liner out. PIC 1 Remove the four bolts that attach the Tour Pak to the trike deck. Set this hardware aside, it may be reused. Cover the trike with a blanket in the seat area and gently lift the Tour Pak and set it on the blanket. PIC 2



**STEP 3** Determine the left arm hoop (sitting on the bike) from the right. When attached to the bracket and folded into the riding position, the mounting hole for the arm rest pad will point almost straight back PIC 3. Also, from the underside, the bevel of the casting stop will go towards the center of the bike. PIC 4

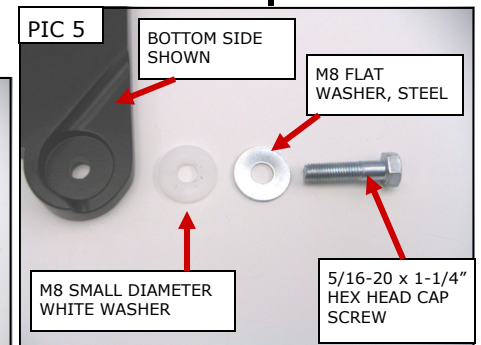
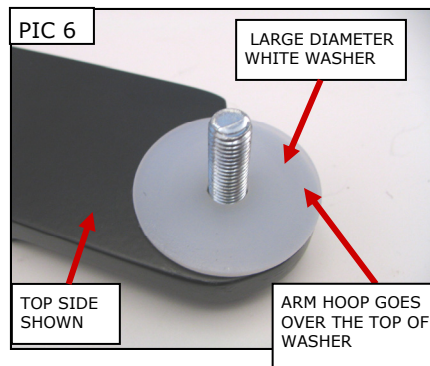
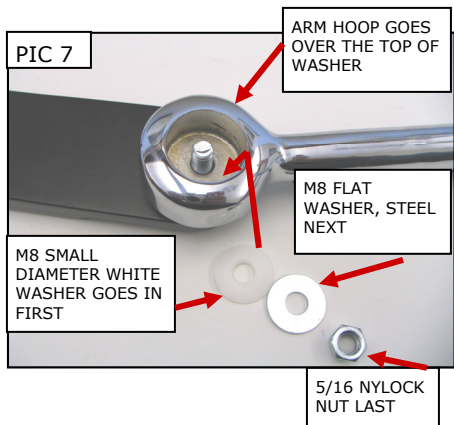
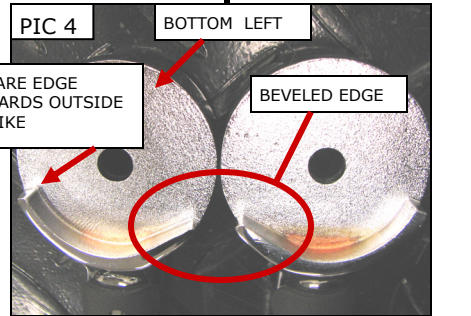
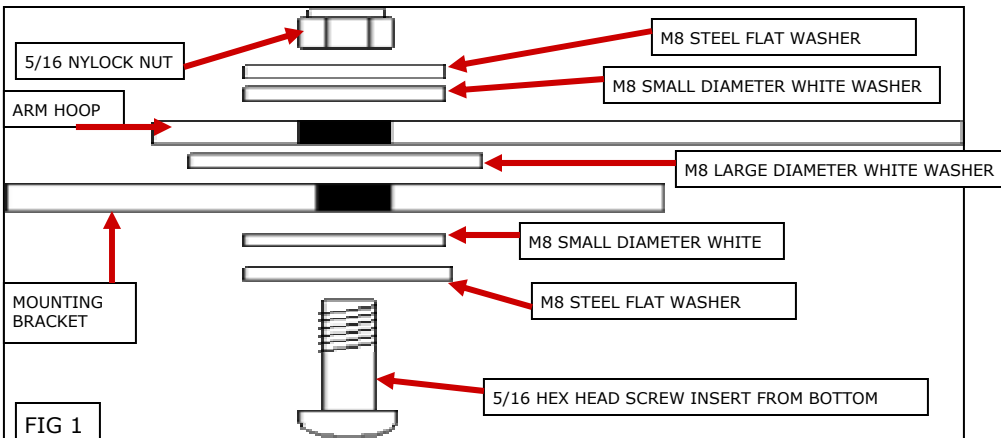


**STEP 4** Attach the left arm hoop to the left mounting bracket using a supplied 5/16"-24 X 1-1/4" Hex Head Cap Screw, steel M8 washer, M8 small diameter white washer from the bottom side of the bracket PIC 5. Next, place a large diameter white washer over the Hex Head Cap Screw threads from the top side of the bracket PIC 6. Place the arm hoop, then a M8 small diameter white washer, M8 steel washer and nylock nut over the threads PIC 7. Left side shown.



**NOTE:** See exploded view FIG 1.

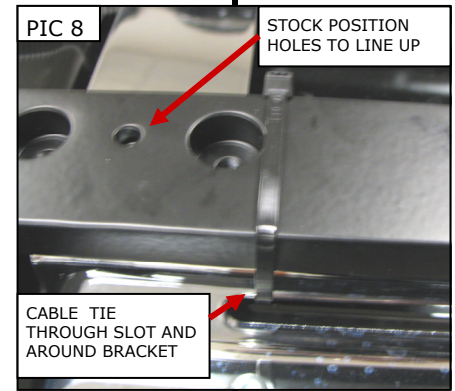
**NOTE:** After installation, you will be able to adjust the tension on the arms by tightening or loosening this nut using a 1/2" open end wrench to hold the Hex Head Cap Screw from the underside of the mounting bracket and the supplied 1/2" Offset Wrench from the top side to adjust the nut.



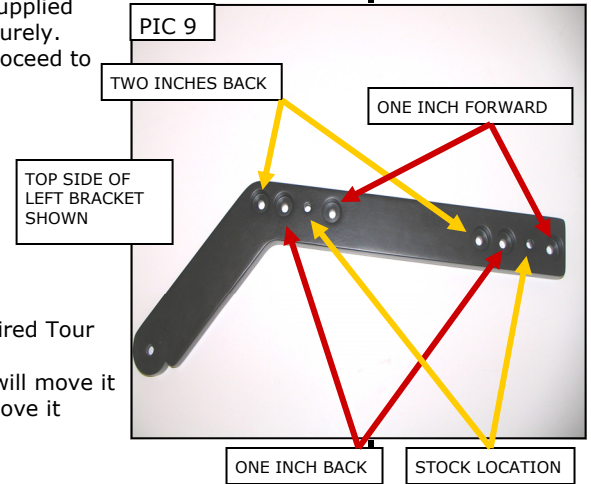
-cont.-

**FOR MOUNTING IN THE STOCK LOCATION**

**STEP 5** Place the left and right side armrest brackets on the trike deck. To ease installation in the stock location, use a nylon cable tie through the slot in the Tour Pak mounting bracket on the trike and around the armrest bracket. PIC 8 Line up the stock position mounting holes in the armrest bracket with the holes in the Tour Pak bracket and tighten the cable tie to hold it in place.



**STEP 6** Place the Tour Pak over the armrest mounting brackets. Line up the holes in the Tour Pak with the holes in the mounting brackets. Insert one of the supplied 1/4"-20 X 1-1/2" Button Socket Cap Screws in each hole. Tighten securely. After installing the Tour Pak, the tie straps may be removed. PIC 8 Proceed to Step 11.

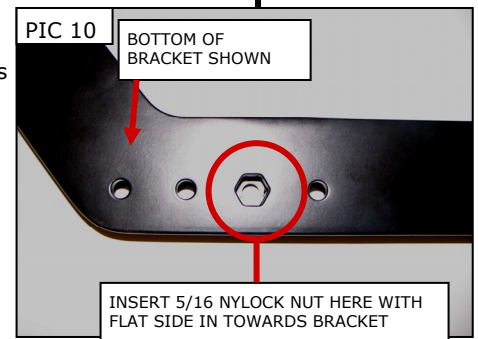


**FOR RELOCATING THE TOUR PAK**

**STEP 7** Choose the mounting holes on the brackets that will give you the desired Tour Pak position. The front holes in the brackets will move the Tour Pak approximately two inches further back than stock. The second holes will move it approximately one inch further back than stock. The rear holes will move it ahead approximately one inch. Left bracket shown. PIC 9

**STEP 8** After determining the Tour Pak mounting position, insert one of the 1/4"-20 nylock nuts (with flat side of nut into the bracket first) in the four recessed holes on the underside of the mounting brackets. PIC 10

**NOTE:** You may want to put a piece of masking tape over the recessed hole after placing the nut in it to keep the nut from falling out when the brackets are turned over for installation.

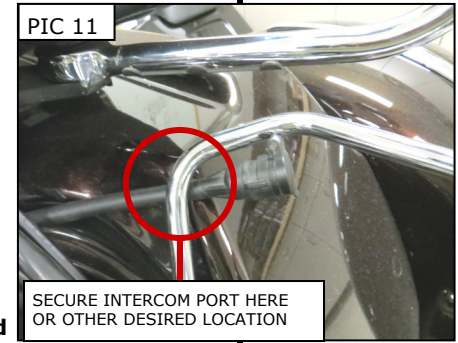


**STEP 9** Align the mounting brackets on the trike deck in the position determined in Step 7 and attach them to the body using the four stock Button Socket Cap Screws, removed in Step 2, and the supplied 1/4" Flat Washers. Tighten securely.

**STEP 10** Set the Tour Pak on the brackets. Using the included 1/4"-20 X 7/8" Button Socket Cap Screws, attach the Tour Pak to the mounting brackets. Tighten securely.

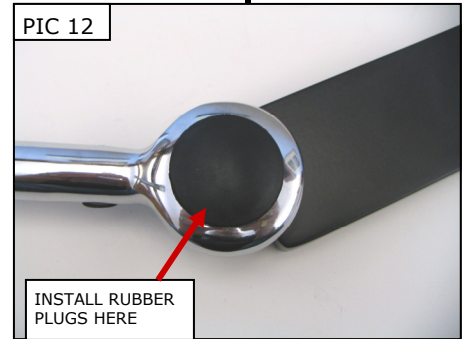
**STEP 11** Install the arm rest pad without the drink holder to the left arm rest hoop by inserting the post on the bottom of the pad into the arm hoop. Using one of the supplied 1/4"-20 X 5/8" Oval Screws, attach the arm rest pad to the hoop. Repeat for the right side using the pad with the drink holder.

**STEP 12** Use installer supplied cable tie to secure the passenger intercom port to the hand rail (PIC 11) or your desired location.



**NOTICE** Secure all wiring from the newly installed and/or from existing parts, away from any moving parts, pinch points or extreme heat. Küryakyn **WILL NOT** issue a warranty on any electrical component that fails due to pinched, crimped, broken, abraded, melted or frayed wires.

**STEP 13** Install the Black Rubber Threaded Plugs into the arm hoops PIC 12. Install the Tour Pak liner. Install the seat.



**WARNING** AFTER INSTALLING THE SEAT, PULL UP ON IT TO ENSURE IT IS LOCKED INTO PLACE. A LOOSE SEAT CAN SHIFT AND CAUSE LOSS OF CONTROL RESULTING IN SERIOUS INJURY OR DEATH.

**WARNING** DO NOT OPERATE THE MOTORCYCLE WITH PASSENGER ARMRESTS FOLDED OUTWARDS.

**WARNING** PASSENGER ARMRESTS ARE NOT A SAFETY RESTRAINING DEVICE. FAILURE TO HOLD ONTO THE MOTORCYCLE MAY RESULT IN SERIOUS INJURY OR DEATH.

**WARNING** THIS PRODUCT WAS DESIGNED FOR USE AS A PASSENGER ARMREST ONLY. DO NOT USE AS AN ASSIST TO MOUNT OR DISMOUNT THE MOTORCYCLE, OR APPLY YOUR FULL BODY WEIGHT TO THE ARMRESTS TO ADJUST SEATING POSITION.

**NOTICE** It is the installer's responsibility to ensure that all of the fasteners (including pre-assembled) are tightened before operation of the motorcycle. Küryakyn will not provide warranty coverage on products or components lost due to improper installation or lack of maintenance. Periodic inspection and maintenance are required on all fasteners.