



FAIRING LOWER SPEAKERS

877

PARTS INCLUDED

- 1 Left Lower Fairing Speaker Pod
- 1 Right Lower Fairing Speaker Pod
- 1 Set of Kicker Speakers—2 OHM
- 8 #10-24 X 1" Button Socket Cap Screws
- 2 5 foot Speaker Connector Harness
- 2 Positive Y Adaptor—White
- 2 Negative Y Adaptor—Black
- 2 Series Speaker Wire Harnesses
- 6 6" Nylon Cable Ties
- 2 Rubber Grommets—(NOT USED FOR THIS INSTALLATION)
- 1 Installation Instructions

Please read and understand entire instructions before starting installation.

THANK YOU FOR CHOOSING KÜRYAKYN!

IN ORDER TO PROTECT YOU AND OTHERS FROM POSSIBLE INJURY AND/OR PROPERTY DAMAGE OR LOSS, PLEASE PAY CLOSE ATTENTION TO ALL INSTRUCTIONS, WARNINGS, CAUTIONS AND ATTENTION NOTES REGARDING THE USE AND CARE OF THIS PRODUCT.

WARNING! THIS INDICATION ALERTS YOU TO THE FACT THAT IGNORING THE CONTENTS DESCRIBED HEREIN CAN RESULT IN POTENTIAL DEATH OR SERIOUS INJURY

ATTENTION! This indication alerts you to the fact that ignoring the contents described herein may negatively affect product performance and functionality.

CAUTION! This indication alerts you to the fact that ignoring the contents described herein can result in potential injury or material damage.

TOOLS SUGGESTED

Set of Hex Wrenches, Set of Torx Wrenches, Socket Set and Ratchet

STRICTLY OBSERVE THE FOLLOWING GUIDELINES IN ORDER TO USE THE PRODUCT PROPERLY AND AVOID POTENTIALLY DANGEROUS ACCIDENTS.

STEP 1

Read and understand all steps in the instructions before starting the installation. Park the motorcycle on a hard, level surface and turn off the ignition.

WARNING! YOU WILL BE WORKING AROUND THE ENGINE AND EXHAUST SYSTEM DURING INSTALLATION. ENSURE THAT THE ENGINE AND EXHAUST SYSTEM HAVE FULLY COOLED TO PREVENT INJURY.

CAUTION! It is up to the installer to determine if installing Fairing Lower Speakers, P/N 877, without Kuryakyn P/N 871, Kicker Amp, could damage the sound system on the motorcycle. Kuryakyn will not be responsible for incidental or consequential damages to the sound system resulting from improper wiring of the Fairing Lower Speakers to the existing sound system.

CUSTOMER SERVICE

877.370.3604 (toll free)

INSTALLATION QUESTIONS

techsupport@kuryakyn.com
or call 715.247.2983

LIMITED WARRANTY

Küryakyn warrants that any Küryakyn products sold hereunder, shall be free of defects in materials and workmanship for a period of one (1) year from the date of purchase by the consumer excepting the following provisions:

- Küryakyn shall have no obligation in the event the customer is unable to provide a receipt showing the date the customer purchased the product(s).
- The product must be properly installed, maintained and operated under normal conditions.
- Küryakyn makes no warranty, expressed or implied, with respect to any gold plated products.
- Küryakyn shall not be liable for any consequential and incidental damages, including labor and paint, resulting from failure of a Küryakyn product, failure to deliver, delay in delivery, delivery in nonconforming condition, or for any breach of contract or duty between Küryakyn and a customer.
- Küryakyn products are often intended for use in specific applications. Küryakyn makes no warranty if a Küryakyn product is used in applications other than intended.
- Küryakyn electrical products are warranted for one (1) year from the date of purchase by the consumer. L.E.D.'S contained in components of Küryakyn products will be warranted for defects in materials and workmanship for 3 years from the date of purchase where as all other components shall be warranted for one(1) year. This includes, but is not limited to; control modules, wiring, chrome & other components.
- Küryakyn makes no warranty of any kind in regard to other manufacturer's products distributed by Küryakyn. Küryakyn will pass on all warranties made by the manufacturer and where possible, will expedite the claim on behalf of the customer, but ultimately, responsibility for disposition of the warranty claim lies with the manufacturer.

ABOUT OUR CATALOG

For purchasing Küryakyn® products, you can receive a complete catalog free of charge. Send the Proof-of-Purchase below with your address to: Küryakyn, P.O. Box 339, Somerset, WI 54025. Please indicate either Accessories Catalog for Harley-Davidson® or GL & Metric Cruisers.

Be sure to ask your local dealer about other Küryakyn® products, the motorcycle parts and accessories designed for riders.

©2005 Küryakyn USA® All Rights reserved.



ATTENTION! These Fairing Lower Speakers were designed to work with Kuryakyn P/N 871, Kicker Amp. Installation of these without the Kicker Amp will not produce the desired sound quality. Kuryakyn WILL NOT warranty these Fairing Lower Speakers for sound quality if installed without an amp.

ATTENTION! If you are NOT using a Kuryakyn amplifier, P/N 871, with these speakers you will have to fabricate your own wiring harness to connect the speakers to the motorcycle sound system.

CAUTION! Avoid potential electrical shock! Disconnect the battery before starting this procedure.

ATTENTION! A factory service manual may be helpful in performing this installation. Do not attempt to perform this installation if you are not confident in your ability to complete all of the steps in the procedure; consult a trained technician.

STEP 2 Remove the fairing lowers from the motorcycle per the instructions in the service manual. PIC 1 Set the hardware aside, it will be reused.

STEP 3 Install the Lower Fairing Speaker housings onto the Fairing Lower with the five self-tapping Torx screws removed in Step 2. Two will attach to the storage tray/vent, first, then attach the Speaker housing to the fairing lower with the remaining three Torx screws.

STEP 4 Route the speaker wire harness through the hole in the bottom of the storage tray/vent. PIC 2 Route the harness over the arm for the vent. PIC 3 Use one of the supplied cable ties to attach this harness to the arm away from pinch points.

CAUTION! Care must be used when operating the vent to make sure the harness does not get pinched. Kuryakyn WILL NOT issue a warranty on any electrical component that fails due to pinched, crimped, broken, abraded, melted or frayed wires.

STEP 5 Install the fairing lowers back on the bike using the hardware removed in Step 2.

ATTENTION! It is the installer's responsibility to ensure that all of the fasteners (including pre-assembled) are tightened before operation of the motorcycle. Kuryakyn will not issue a warranty on components lost due to improper installation. Periodic maintenance may be required.

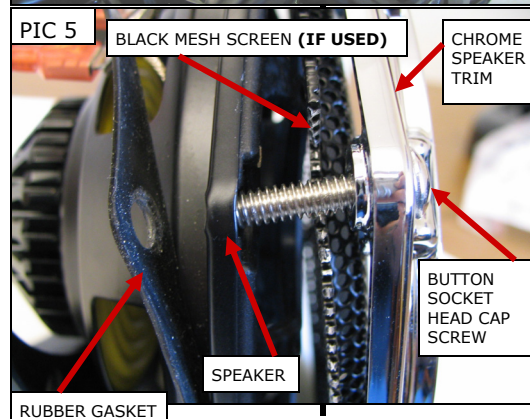
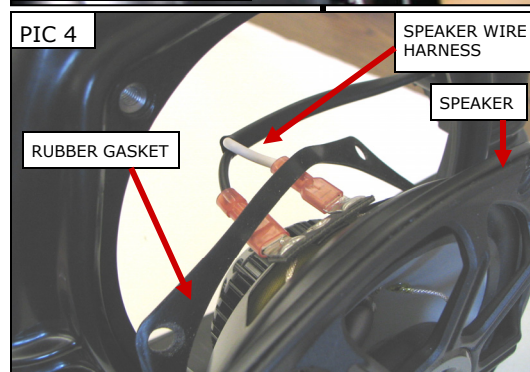
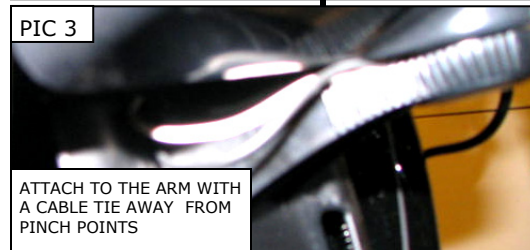
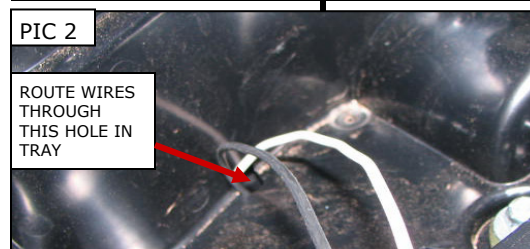
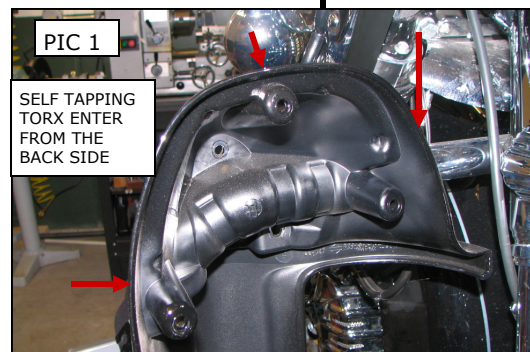
NOTE:The black mesh screens included with the Kicker Speaker set do not need to be used for proper installation. If the installer decides to use them, they will have to be trimmed to fit under the Chrome Speaker Trim.

STEP 6 Place one of the included rubber gaskets around the speaker mounting location in the housing. Connect the wire harness, from Step 4, through the center of the gasket to the back of the speaker. PIC 4 Insert one of the chrome button socket cap screws through each corner of the chrome speaker trim, through the black screen (if used, THESE WILL NEED TO BE TRIMMED), through the speaker and attach to the speaker housing. PIC 5 Tighten securely.

STEP 7 Remove the windscreen and outer fairing as per the service manual.

STEP 8 Route the wires from the Lower Fairing Speakers on each side along the engine guard up the side of the neck to the speakers on each side.

-cont.-



ATTENTION! Secure all wiring away from any moving parts, pinch points or extreme heat. Küryakyn **WILL NOT** issue a warranty on any electrical component that fails due to pinched, crimped, broken, abraded, melted or frayed wires.

STEP 9 These speakers are designed to work with Kuryakyn /Kicker Amp, P/N 871. If you are not using this Amp, you will need to fabricate your own wiring harness to connect these speakers to your system.

STEP 10 Locate the existing Single Speaker harness from the Amp to the front speakers-GRAY (right) and WHITE (left). Disconnect these from the speakers. If wiring in Series, disconnect these from the GRAY and WHITE harnesses labeled "TO FRONT SPEAKERS".

ATTENTION! Küryakyn recommends the use of dielectric grease on electrical connections.

STEP 11 Connect a Series Speaker harness to each of the GRAY and WHITE Harnesses. Connect one leg of the Series harness to each front speaker. GRAY goes to the right side, WHITE to the left side.

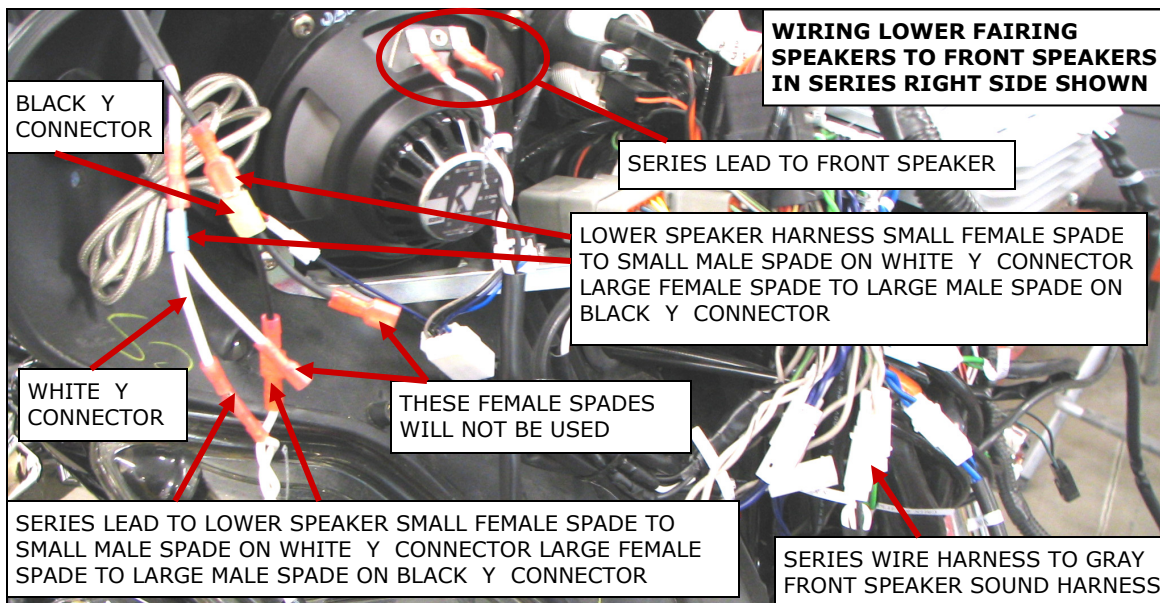
NOTE: Using electrical tape over each of the Male To Female Spade connections in the following steps will ensure the connections stay together and help prevent any electrical interference.

STEP 12 Connect the other leg of each Series harness with the large Female Spade to a Male Spade on a BLACK Y Connector. Connect the small Female Spade to a Male Spade on a WHITE Y Connector. Connect the second Male Spade on each Y Connector to the same size Female Spade on each wire from the Fairing Lower Speakers. The Female Spade on the Y Connectors **WILL NOT BE USED**.

STEP 13 If wiring in parallel, connect a Male Spade on a White Y Connector to the Single Speaker harness on the Gray (right) wire and the Single Speaker harness on the White (left) wire from the Amp. Connect a Male Spade on the White Y Connector to the White wire from the Lower Fairing Speaker. Connect the Female Spade on the White Y Connector to the Small Male Spade on the OEM/Kicker speaker.

STEP 14 Connect a Male Spade on a Black Y Connector to the Gray/Black (right) and White/Black (left) wire from the Amp. Connect a Male Spade on the Black Y Connector to the White/Black wire from the Fairing Lower Speaker. Connect the Female Spade on the Black Y Connector to the Large Male Spade on the OEM/Kicker speaker. Use the supplied cable ties to secure the wiring out of harms way.

STEP15 Test the system for proper operation. Reinstall the outer fairing.



-cont.-

WIRING HARNESS COLOR KEY CHART
LEFT AND RIGHT ARE AS SITTING ON THE BIKE

CAUTION!

It is up to the installer to ensure that the total speaker Ohms on each channel is within the operating range of the Kicker Amp. This range is 2 Ohms minimum to 8 Ohms maximum. Check your speakers to find the Ohms listed. **KURYAKYN WILL NOT** warranty speakers or Amps that have failed due to incorrect wiring.

WHITE— LEFT FRONT POSITIVE

WHITE/BLACK STRIPE— LEFT FRONT NEGATIVE

GRAY— RIGHT FRONT POSITIVE

GRAY/BLACK STRIPE— RIGHT FRONT NEGATIVE

GREEN— LEFT REAR POSITIVE

GREEN/BLACK STRIPE—LEFT REAR NEGATIVE

PURPLE— RIGHT REAR POSITIVE

PURPLE/BLACK STRIPE— RIGHT REAR NEGATIVE

THE LONG HARNESSSES WITH THE **GREEN** AND THE **GREEN/BLACK** WIRES NEED TO BE ROUTED TO THE LEFT REAR OF THE BIKE IF THE BIKE HAS EXISTING REAR SPEAKERS

THE LONG HARNESSSES WITH THE **PURPLE** AND **PURPLE/BLACK** WIRES NEED TO BE ROUTED TO THE RIGHT REAR OF THE BIKE IF THE BIKE HAS EXISTING REAR SPEAKERS

THE MID LENGTH HARNESS WITH THE HEAVY **RED** WIRE WITH THE FUSE HOLDER IS THE POSITIVE TO THE BATTERY AND THE HEAVY **BLACK** WIRE IS NEGATIVE TO THE BATTERY

THE **BLUE** WIRES FROM THE AMP ARE AN EXTENSION FOR THE SUBWOOFER AND **WILL NOT BE USED AT THIS TIME.**

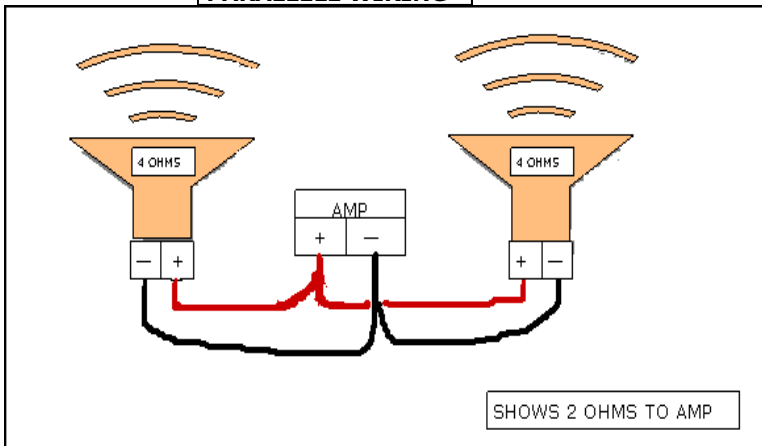
THE **POSITIVE** SIDE OF THE SPEAKER HAS THE **SMALL** SPADE CONNECTOR

THE **NEGATIVE** SIDE OF THE SPEAKER HAS THE **LARGE** SPADE CONNECTOR

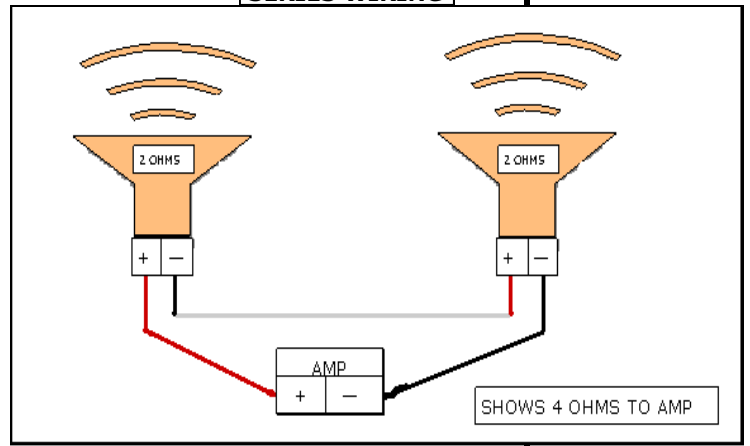
THE **WHITE "Y"** ADAPTER IS FOR THE **POSITIVE** SIDE OF THE SPEAKER WIRING

THE **BLACK "Y"** ADAPTER IS FOR THE **NEGATIVE** SIDE OF THE SPEAKER WIRING

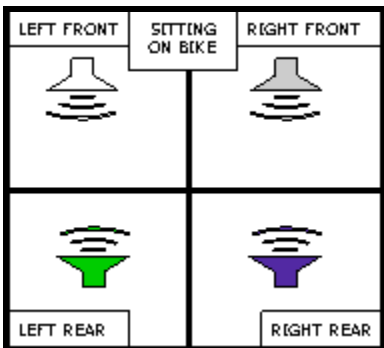
PARALLELL WIRING



SERIES WIRING



This diagram divides the bike into four zones or sections that are called Channels. Each channel includes all speakers in that zone or section. To determine the correct OHMS for each channel, use the Ohms of each speaker in the zone or section and the formulas given for Series wiring or Parallel wiring.



SERIES

When speakers are added and wired in series' add the Ohms from each speaker on that channel together to get the total Ohms.

Example: 4 Ohms + 2 Ohms = 6 Ohms which is in the range of acceptable Ohms.

PARALLEL

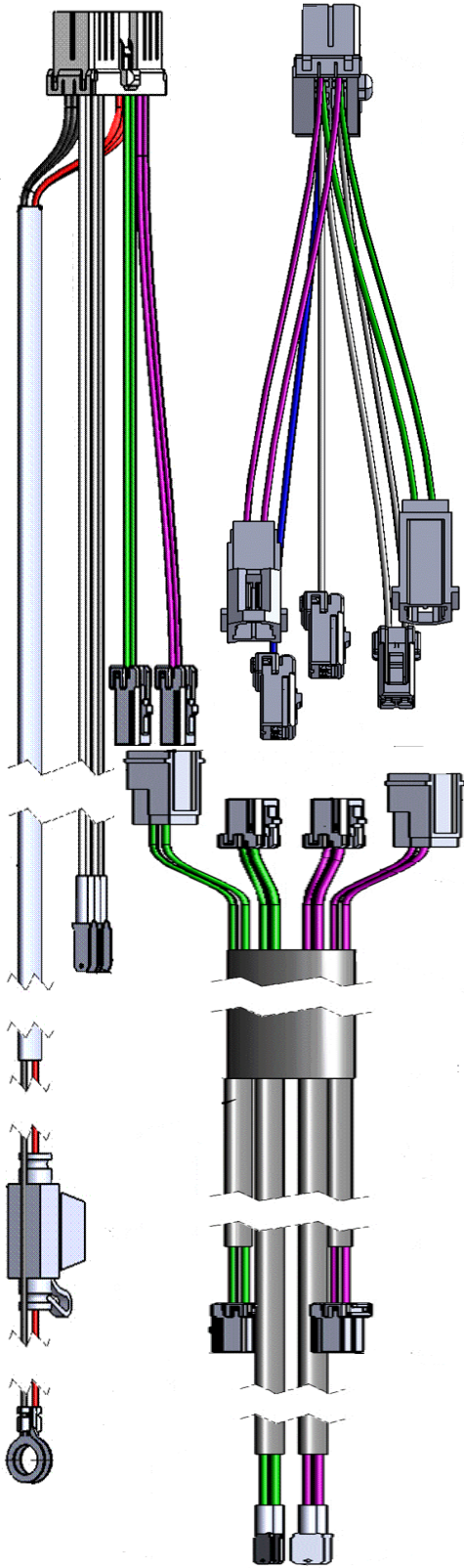
When speakers are wired in parallel to get the total Ohms, multiply the Ohms from each speaker on a channel together. Divide that by the amount from adding the Ohms of each speaker on that channel together.

Example: 4 Ohms X 2 Ohms / 4 Ohms + 2 Ohms = 1.3 Ohms which would be too low.

-cont.-

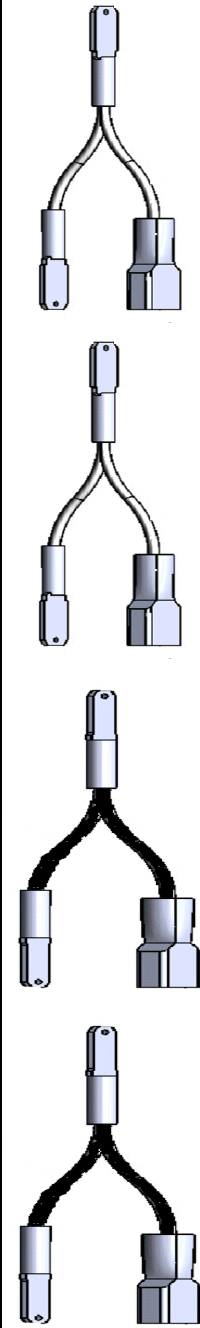
FIG 1

THESE HARNESSES SHOULD BE EXISTING ON THE BIKE

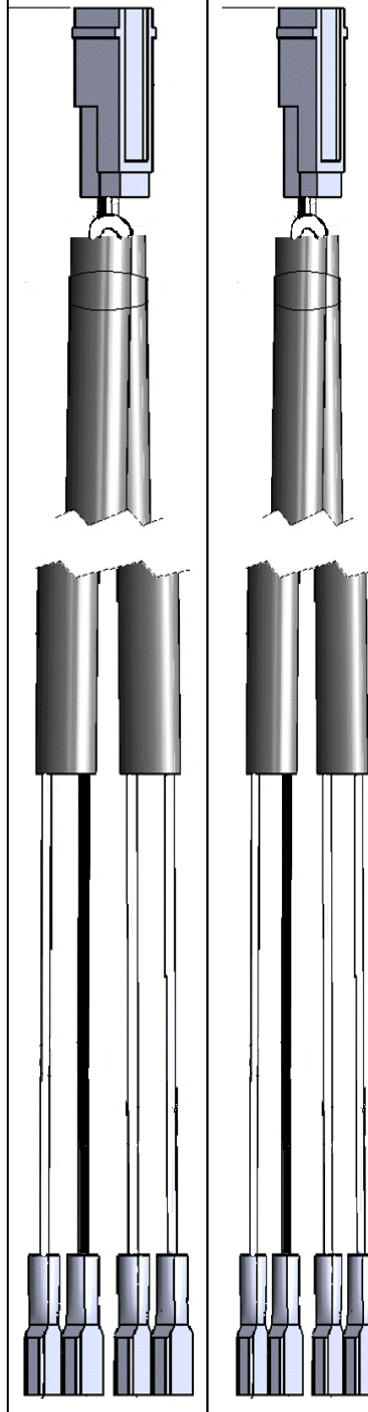


YOU WILL HAVE TO USE ALL OF THESE FOR WIRING IN SERIES. USE JUST THE Y CONNECTORS FOR WIRING IN PARALLEL

WHITE AND BLACK Y CONNECTORS



SERIES HARNESSSES



CAUTION!

It is up to the installer to ensure that the total speaker Ohms on each channel is within the operating range of the Kicker Amp. This range is 2 Ohms minimum to 8 Ohms maximum. Check your speakers to find the Ohms listed. **KURYAKYN WILL NOT** warranty speakers or Amps that have failed due to incorrect wiring.