



## DRIVING LIGHT BAR MOUNTING KIT

## 4004

### PARTS INCLUDED

- 1 Light Bar Mounting Plate — Stainless Steel
- 1 Upper Plate Mount Assembly
- 1 Light Bar Mounting Kit Including:
  - 1 .265" I.D. X .390" O.D. X .375" Long Polished Stainless Steel Spacer
  - 2 M5 X .08 X 10mm Stainless Steel Phillips Head Pan Screw
  - 2 M5 X .08 X Stainless Steel Flanged Hex Nut
- 1 Installation Instructions

Please read and understand entire instructions before starting installation.

### THANK YOU FOR CHOOSING KÜRYAKYN!

**IN ORDER TO PROTECT YOU AND OTHERS FROM POSSIBLE INJURY AND/OR PROPERTY DAMAGE OR LOSS, PLEASE PAY CLOSE ATTENTION TO ALL INSTRUCTIONS, WARNINGS, CAUTIONS AND ATTENTION NOTES REGARDING THE USE AND CARE OF THIS PRODUCT.**

**CAUTION!** This indication alerts you to the fact that ignoring the contents described herein can result in potential injury or material damage.

**ATTENTION!** This indication alerts you to the fact that ignoring the contents described herein may negatively affect product performance and functionality.

### TOOLS SUGGESTED

Set of Standard and Metric Combination Wrenches and a Set of Standard and Metric Allen Wrenches and a Factory Service Manual for wiring reference.

**STRICTLY OBSERVE THE FOLLOWING GUIDELINES IN ORDER TO USE THE PRODUCT PROPERLY AND AVOID POTENTIALLY DANGEROUS ACCIDENTS.**

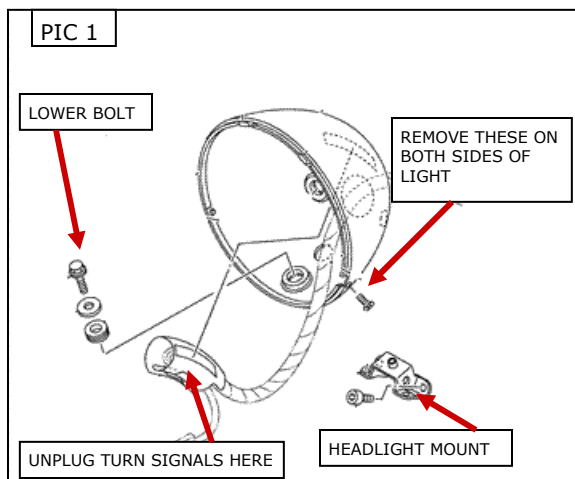
**STEP 1** Read and understand all steps in the instructions before starting the installation. Park the motorcycle on a hard, level surface and turn off the ignition.

**CAUTION!** Avoid potential electrical shock! Disconnect the battery before starting this procedure.

**STEP 2** Remove the two Phillips head screws on the sides of the headlight; unplug and remove the headlight bulb and bezel. PIC 1

**STEP 3** Remove the pull-off cover on the O.E.M. turn signal bar. PIC 2

**STEP 4** Disconnect O.E.M. turn signals. (Inside headlight housing) PIC 1 and PIC 2



### CUSTOMER SERVICE

877.370.3604 (toll free)

### INSTALLATION QUESTIONS

techsupport@kuryakyn.com  
or call 715.247.2983

### LIMITED WARRANTY

Kuryakyn warrants that any Kuryakyn products sold hereunder, shall be free of defects in materials and workmanship for a period of one (1) year from the date of purchase by the consumer excepting the following provisions:

- Kuryakyn shall have no obligation in the event the customer is unable to provide a receipt showing the date the customer purchased the product(s).
  - The product must be properly installed, maintained and operated under normal conditions.
  - Kuryakyn makes no warranty, expressed or implied, with respect to any gold plated products.
    - Kuryakyn shall not be liable for any consequential and incidental damages, including labor and paint, resulting from failure of a Kuryakyn product, failure to deliver, delay in delivery, delivery in nonconforming condition, or for any breach of contract or duty between Kuryakyn and a customer.
- Kuryakyn products are often intended for use in specific applications. Kuryakyn makes no warranty if a Kuryakyn product is used in applications other than intended.
- Kuryakyn electrical products are warranted for one (1) year from the date of purchase by the consumer. L.E.D.'S contained in components of Kuryakyn products will be warranted for defects in materials and workmanship for 3 years from the date of purchase where as all other components shall be warranted for one(1) year. This includes, but is not limited to; control modules, wiring, chrome & other components.

• Kuryakyn makes no warranty of any kind in regard to other manufacturer's products distributed by Kuryakyn. Kuryakyn will pass on all warranties made by the manufacturer and where possible, will expedite the claim on behalf of the customer, but ultimately, responsibility for disposition of the warranty claim lies with the manufacturer.

### ABOUT OUR CATALOG

For purchasing Kuryakyn® products, you can receive a complete catalog free of charge. Send the Proof-of-Purchase below with your address to: Kuryakyn, P.O. Box 339, Somerset, WI 54025. Please indicate either Accessories Catalog for Harley-Davidson® or GL & Metric Cruisers.

Be sure to ask your local dealer about other Kuryakyn® products, the motorcycle parts and accessories designed for riders by riders.

©2005 Kuryakyn USA® All Rights reserved.

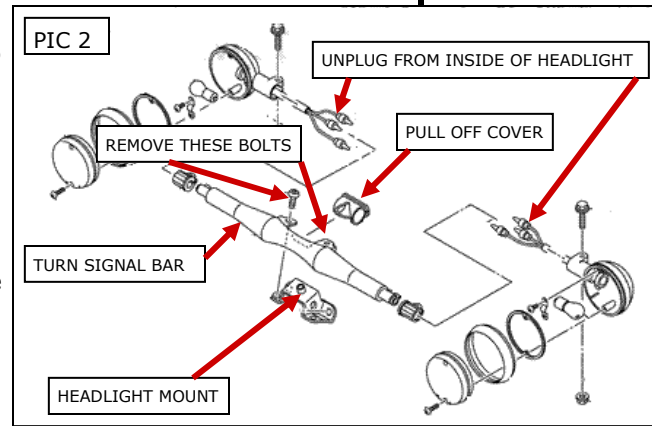


**STEP 5** Remove the O.E.M. turn signal light bar by removing the two bolts and set these aside, they will be reused.

**STEP 6** Remove the lower bolt inside the headlight. This will allow you to remove the headlight mounting bracket. PIC 1

**STEP 7** Install the new head light mount to the bottom of the headlight using the O.E.M. hardware. Leave snug for now.

**STEP 8** Line up the large holes in the light bar mounting bracket with the holes in the new headlight mounting bracket and using the O.E.M. hardware, removed in Step 5, attach both brackets to the bike in the stock location. Tighten securely. Tighten the bottom headlight bolt from Step 7 securely.



**STEPS 9 AND 10 FOR BIKES WITH NO FAIRING**

**STEP 9** Mount the new Light Bar on to the mounting plate using the two 1/4"-20 X .40" Button Head Cap Screws supplied with the light bar. Compress the front suspension fully and check for proper clearance between the light bar and front fender.

**STEP 10** Connect the turn signal wires to the corresponding O.E.M. wires inside of the headlight. (Refer to Factory Service Manual.) We recommend connecting both of the power leads to from the driving lights to Kuryakyn Part No. 2202 or Part No. 2328, Universal Wiring and Relay Kit, or an equal quality relay switch.

**IF USING WITH KURYAKYN AIR MASTER FAIRING OR SPORTECH FAIRING MOUNTING KITS**

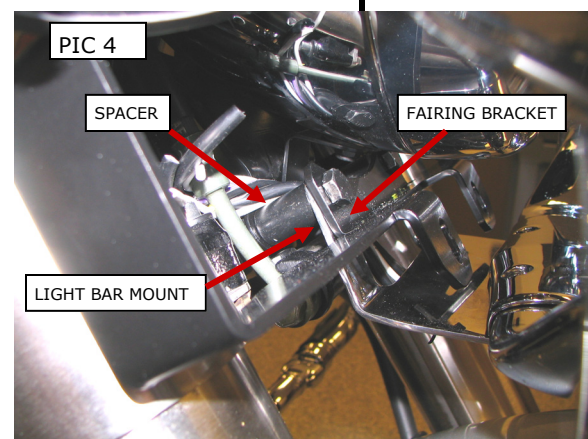
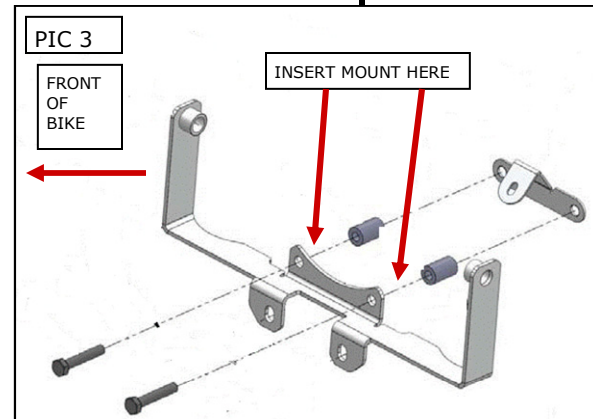
**STEP 11** Insert the light bar mount between the bottom fairing bracket and the spacers. PIC 3 and PIC 4

**STEP 12** Mount the new Light Bar on to the mounting plate using the two 1/4"-20 X .40" Button Head Cap Screws supplied with the light bar.

**STEP 13** Connect the turn signal wires to the corresponding O.E.M. wires inside of the headlight. (Refer to Factory Service Manual.) We recommend connecting both of the power leads from the driving lights to Kuryakyn Part No. 2202 or Part No.2328, Universal Wiring and Relay Kits, or an equal quality relay switch.

**STEP 14** Reconnect the battery.

**STEP 15** Test for function of ALL the lights before re-assembling the headlight and bezel. Reassemble the headlight when all lights are functioning properly. Compress the front suspension fully and check for proper clearance between the light bar and front fender.



**ATTENTION!** It is the installer's responsibility to ensure that all of the fasteners (including pre-assembled) are tightened before operation of the motorcycle. Kuryakyn will not issue a warranty on components lost due to improper installation. Periodic maintenance may be required.

**ATTENTION!** Secure all wiring away from any moving parts, pinch points or extreme heat. Kuryakyn WILL NOT issue a warranty on any electrical component that fails due to pinched, crimped, broken, abraded, melted or frayed wires.