



## BOTTOM DRIVING LIGHT MOUNTS 2283

### OR TURN SIGNAL MOUNTS FOR VTX1800

**FITS:** '02-UP VTX1800 R, S, T, C, F  
**NOTE: WORKS GREAT TO ADD ADDITIONAL TURN SIGNALS OR DRIVING LIGHTS. WORKS WITH KURYAKYN DRIVING LIGHT BAR (P/N 4001) AND WITH WINDSHIELDS THAT DO NOT EXTEND BELOW LOWER TRIPLE TREES.**

#### PARTS INCLUDED

- 1 Right Mount Bracket
- 1 Left Mount Bracket
- 2 M8 x 1.25 x 25 Socket Button Head Cap Screw (SBHCS)
- 4 5/16 External Tooth Lock Washer
- 2 M8 Flat Washer
- 2 .335 x .815 x .310 Spacer
- 2 M8 x 1.25 x 30 Coupler Nut
- 1 Installation Instructions

#### REQUIRES

Silver Bullets P/N 2336, 2337, 2367 or similar product that mounts with 5/16 mounting hole. (Sold Separately.)

*Not all of the included parts will be used during this installation.*

**SUGGESTED** Use P/N 2328 Universal Wiring and Relay Kit when installing Halogen Silver Bullets. (Sold Separately.)

*Please read and understand entire instructions before starting installation.*

#### THANK YOU FOR CHOOSING KURYAKYN!

**CAUTION!** Ensure that the installation of this product does not interfere with the proper operation of the motorcycle before riding.

**ATTENTION!** It is the installer's responsibility to ensure all fasteners (including pre-assembled) are tightened before operation of the motorcycle. Kuryakyn will not warranty components lost due to improper installation. Periodic maintenance may be required.

**ATTENTION!** Secure all wiring away from any moving parts, pinch points or extreme heat. Kuryakyn WILL NOT warranty any electrical component that fails due to pinched, crimped, broken, abraded, melted or frayed wires.

**NOTE** Installation is shown on a 2006 VTX1800F and a 2003 VTX1800R, while representative of typical procedure, there may be minor differences when installed on other models.

**NOTE** Avoid damage to motorcycle. Protect painted surfaces with soft cloth or blanket.

**NOTE** Do not overload the driving light/turnsignal circuit.

**-cont.-**

#### CUSTOMER SERVICE

877.370.3604 (toll free)

#### INSTALLATION QUESTIONS

techsupport@kuryakyn.com  
or call 715.247.2983

#### LIMITED WARRANTY

Kuryakyn warrants that any Kuryakyn products sold hereunder, shall be free of defects in materials and workmanship for a period of one (1) year from the date of purchase by the consumer excepting the following provisions:

- Kuryakyn shall have no obligation in the event the customer is unable to provide a receipt showing the date the customer purchased the product(s).
- The product must be properly installed, maintained and operated under normal conditions.
- Kuryakyn makes no warranty, expressed or implied, with respect to any gold plated products.
- Kuryakyn shall not be liable for any consequential and incidental damages, including labor and paint, resulting from failure of a Kuryakyn product, failure to deliver, delay in delivery, delivery in nonconforming condition, or for any breach of contract or duty between Kuryakyn and a customer.
- Kuryakyn products are often intended for use in specific applications. Kuryakyn makes no warranty if a Kuryakyn product is used in applications other than intended.
- Kuryakyn electrical products are warranted for one (1) year from the date of purchase by the consumer. Components of Kuryakyn products containing L.E.D.s will be warranted for defects in materials and workmanship for 3 years from the date of purchase.
- Kuryakyn makes no warranty of any kind in regard to other manufacturer's products distributed by Kuryakyn. Kuryakyn will pass on all warranties made by the manufacturer and where possible, will expedite the claim on behalf of the customer, but ultimately, responsibility for disposition of the warranty claim lies with the manufacturer.

#### ABOUT OUR CATALOG

You'll find all our innovations for H-D, GL and Metric Cruisers in our annual catalogs. Order online today—select the "CATALOGS" icon. Each Kuryakyn product comes with a Proof-of-Purchase good for a complimentary catalog. Details in packaging.

Be sure to ask your local dealer about other Kuryakyn products, the motorcycle parts and accessories designed for riders by riders.

©2005 Kuryakyn USA All Rights reserved.



## TOOLS SUGGESTED

Set of hex wrenches, set of combination wrenches, socket set and ratchet

## PROCEDURE FOR MOTORCYCLES EQUIPPED WITH A KURYAKYN DRIVING LIGHT BAR

**STEP 1** Park the motorcycle on a hard, level surface; turn off the ignition.

**STEP 2** Locate the right side mount. See [FIG.1](#).

**STEP 3** Assemble the driving lights/turnsignals (sold separately) onto the light mounts. Refer to the instructions included with the driving lights/turn signals for more information. Do not connect the wires at this time.

**STEP 4** Remove the right side fastener securing the driving light bar bracket to the lower triple clamp; it will not be re-used.

**STEP 5** Place a flat washer over a M8 x 1.25 x 25 (SBHCS); insert it through the hole in the mount. See [PIC.1](#).

**STEP 6** Place a 5/16 external tooth lock washer over the protruding end of the fastener followed by a .335 x .815 x .310 spacer and another 5/16 external tooth lock washer. See [PIC.1](#).

**STEP 7** Install the assembly through the existing driving light bar bracket and into the threaded stand-off; finger-tighten for now. See [PIC.2](#).

**STEP 8** Remove the left side fastener securing the driving light bar bracket to the lower triple clamp; it will not be re-used.

**STEP 9** Repeat STEP 5 through STEP 7 for the left side.

**STEP 10** Connect the driving light/turnsignal wires at this time; refer to the instructions included with the driving lights/turn signals for more information.

**STEP 11** Align the driving light/turn signal mounts straight ahead and tighten all the fasteners.

**ATTENTION!** Secure all wiring away from any moving parts, pinch points or extreme heat. Kuryakyn WILL NOT warranty any electrical component that fails due to pinched, crimped, broken, abraded, melted or frayed wires.

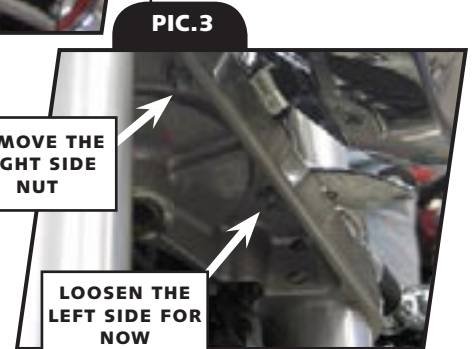
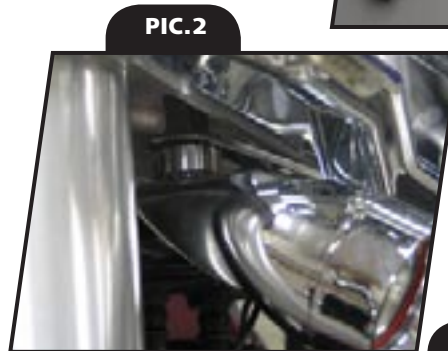
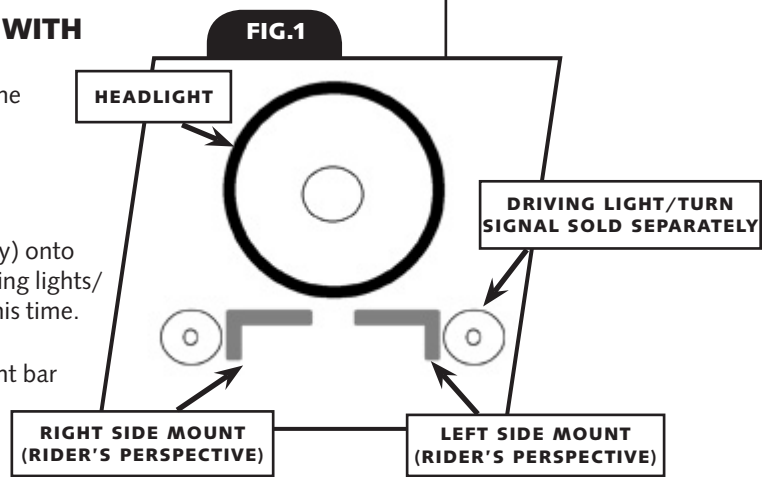
**CAUTION!** Ensure that the installation of this product does not interfere with the proper operation of the motorcycle before riding.

## PROCEDURE FOR MOTORCYCLES WITHOUT A DRIVING LIGHT BAR

**STEP 1** Park the motorcycle on a hard, level surface; turn off the ignition.

**STEP 2** Remove the right side stock nut securing the head light bracket to the lower triple clamp. See [PIC.3](#).

-cont.-



**STEP 3** Install the included M8 x 1.25 x 30 Coupler Nut on the protruding end of the stock head light fastener; tighten the M8 x 1.25 x 30 Coupler Nut.

**STEP 4** Repeat STEP 2 and STEP 3 for the left side.

**STEP 5** Assemble the driving light/turnsignals (sold separately) on the light mounts. Refer to the instructions included with the driving lights/turn signals for more information. Do not connect the wires at this time.

**STEP 6** Locate the included M8 x 1.25 x 25 (SBHCS); place a flat washer over the M8 x 1.25 x 25 (SBHCS) followed by a 5/16 external tooth lock washer. See [PIC.4](#).

**STEP 7** Insert the M8 x 1.25 x 25 (SBHCS) and 5/16 external tooth lock washer into the right side light mount (see Fig.1); place another 5/16 external tooth lock washer over the protruding end of the M8 x 1.25 x 25 (SBHCS). See [PIC.4](#).

**STEP 8** Thread the assembly into the previously installed right side coupler nut (see [PIC.4](#)); finger-tighten for now.

**STEP 9** Repeat STEP 6 through STEP 8 for the left side.

**STEP 10** Connect the driving light/turnsignal wires at this time. Refer to the instructions included with the driving lights/turn signals for more information.

**STEP 11** Align the driving light/turnsignals straight ahead and tighten all of the fasteners.

**ATTENTION!** Secure all wiring away from any moving parts, pinch points or extreme heat. Kuryakyn WILL NOT warranty any electrical component that fails due to pinched, crimped, broken, abraded, melted or frayed wires.

**CAUTION!** Ensure that the installation of this product does not interfere with the proper operation of the motorcycle before riding.

**Kuryakyn**

**PIC.4**



*Ride On!*

**PAGE**

**3**

**DRIVING LIGHT/TURN SIGNAL MOUNTS INSTALLATION**