

INSTALLATION INSTRUCTIONS

ENGINE GUARD MOUNT
FLOORBOARDS FOR 1980-89
GL MODELS W/OEM ENGINE GUARDS

P/N DS-720210A, DS-720215A

ATTENTION INSTALLER: (if other than owner):

Please forward this instruction sheet and the warranty card to the purchaser of this product. These instructions also contain valuable information necessary to the end user.

INTRODUCTION:

These instructions describe the procedure for properly installing Engine Guard Floorboards onto 1980-89 Honda models, using clamp mount, or onto 1984-87 Honda models, using bar mount. Motorcycles must be equipped with stock engine guards. Review instructions carefully before beginning, as they contain important information. Please retain for future reference.

Particularly important information is distinguished in these instructions by the following notations:

NOTE: A NOTE provides key information to make procedures easier or clearer.

CAUTION: (shaded) A CAUTION indicates special procedures that must be followed to avoid damage to the motorcycle and/or accessories.

WARNING: (boxed and shaded) A WARNING indicates special procedures that must be followed to avoid injury to a motorcycle operator or person inspecting or repairing the motorcycle.

TOOLS REQUIRED:

- 1 - 1/2" combination wrench
- 1 - 1/8" socket wrench

PROCEDURE: (1984-87) Bar Mount

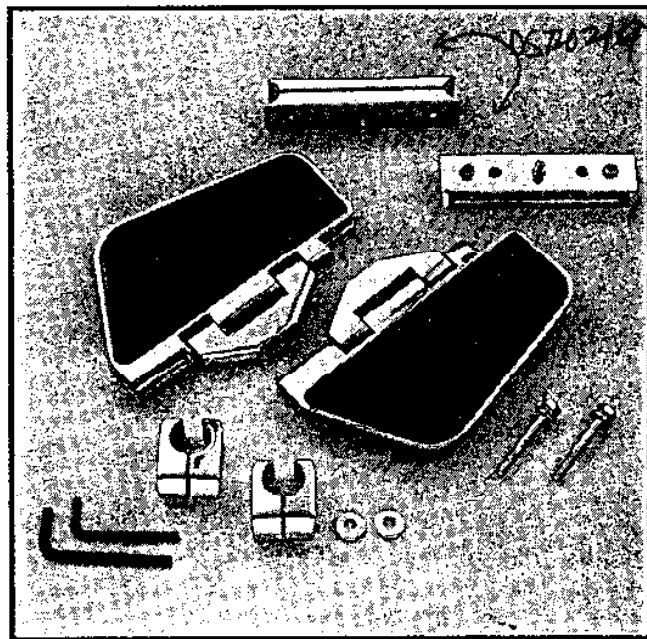
1. Install the anti-swivel bracket (Item #9) and floorboard (Item #4) onto the outer bar clamp half (Item #10), using the 5/16" socket head screw (Item #8). Install through the one of the three holes that provides the desired ride height.

NOTE: The anti-swivel bracket (Item #9) has two positions, 30 and 35 degrees from horizontal. The boards are in the 30° position when the bracket that is marked 30° on the outside is on the left side. They are in the 35° position when this bracket is on the right.

2. Position each inner clamp (Item #9) between valve cover and engine guard, and fasten outer clamp and floorboard assemblies to inner clamps, using the 1/4" socket head screws provided (Item #11).

3. Adjust floorboard from front to rear to suit riding style by sitting on motorcycle and sliding clamps along engine guard tubes. Vertical and angle adjustments require disassembly of clamps and reinstallation of 5/16" socket head screws.

4. Repeat for other side and tighten all hardware securely.



PROCEDURE: (1980-89) Clamp Mount

NOTE: Located on pivot bracket of floorboard are two socket set screws (Item #6). These should be turned outwards 1/16", so they will bite into the engine guard mounts when floorboard is installed. This will help eliminate pivoting of floorboards on clamps.

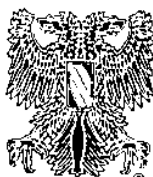
1. Install tubing clamps onto any of the engine case guard tubes, depending on personal preference of location. Refer to exploded view.

2. Attach floorboards with knurled washer (Items #1,7) to clamps, using 5/16" bolts, washers and lock washers provided (Items #3,4,5). Finger tighten only at this time.

3. Adjust tubing clamps with floorboards front to rear to suit riding style by sitting on motorcycle and sliding assemblies along engine guards. Angle floorboards to approximately 30° and tighten 5/16" bolts securely.

USE AND CARE:

Wash your accessories with the same care you use when washing your motorcycle. Use mild soap and water. DO NOT use abrasive chemicals or cleaners, or high pressure spray washers.



DRAG SPECIALTIES®
finer accessories for all motorcycles

Box 9336, Minneapolis, MN 55440

010481

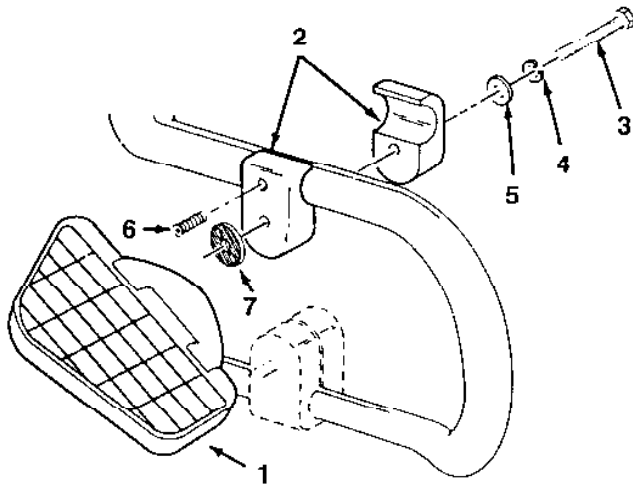
Revised 5/26/89

PRINTED IN
TAIWAN, R.O.C.

Page 1 of 2

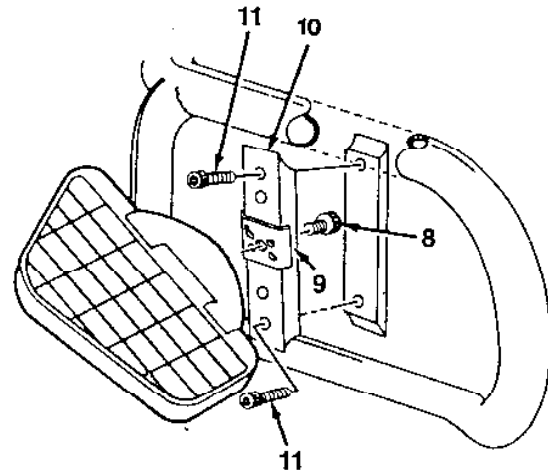
EXPLODED INSTRUCTIONS

**ENGINE GUARD MOUNT
FLOORBOARDS FOR 1980-89
GL MODELS W/OEM ENGINE GUARDS
P/N DS-720210A, DS-720215A**



Clamp Mount

**ENGINE GUARD MOUNT FLOORBOARDS
for 80-89 GL models w/OEM Engine Guards**



Bar Mount

**ENGINE GUARD MOUNT FLOORBOARDS
for 84-87 GL models w/OEM Engine Guards**

ITEM	PART NO.	DESCRIPTION	QTY.		
			Aluminum	Both	Chrome
1	720210-1	Floorboard, Aluminum, Left	1		
1	720215-1	Floorboard, Chrome, Left			1
1	720210-2	Floorboard, Aluminum, Right	1		
1	720215-2	Floorboard, Chrome, Right			1
	720210-3	Pivot Bracket, Aluminum	2		
	720215-3	Pivot Bracket, Chrome			2
	720210-4	Rubber Insert, Left		1	
	720210-5	Rubber Insert, Right		1	
	720210-8	Chrome Trim Plate, Left		1	
	720210-9	Chrome Trim Plate, Right		1	
	720210-10	Spring Clip		2	
	720210-11	Retaining Pin		2	
	720210-12	6mm Basic Series Retaining Ring		2	
		5m .8 x10mm DIN 84 Phil, Zinc		4	
		5m-DIN 7980 Lock Washer, Zinc		4	
		10-32 x 5/8" Hex Bolt, Zinc		4	
		10-32 Acorn Nut, Chrome		4	
		#10 Lock Washer, Chrome		4	
2	720218	1" Tubing Clamp, Chrome		2 pr.	
3		5/16-18 x 2 1/8" Hex Bolt Grade 8.8, Chrome		2	
4		5/16" Lock Washer, Chrome		2	
5		5/16" SAE Flat Washer, Chrome		4	
6		1/4-20 x .31 cup point Socket Set Screw, Bright Zinc		4	
7	720210A	Knurled Washer		2	
8		5/16-18 x 3/4" Socket Head Grade 8.8, Zinc		2	
9	720210A-13	Retaining Bracket, Left Hand		1	
9	720210A-14	Retaining Bracket, Right Hand		1	
10	720210-6	Inner Clamp, Chrome		2	
10	720210-7	Outer Clamp, Chrome		2	
11		1/4-20 x 3/4" Socket Head Grade 8.8, Chrome		4	



DRAG SPECIALTIES®
finer accessories for all motorcycles

Box 9336, Minneapolis, MN 55440

Revised 5/26/89

010481

PRINTED IN
TAIWAN, R.O.C.

Page 2 of 2