

9/6/2011

TOOLS NEEDED:	PHILLIPS SCREWDRIVER	6MM ALLEN WRENCH	10MM WRENCH	3/8" DRILL BIT	1/2" DRILL BIT	DRILL
HARDWARE INCLUDED:	ANTENNA ASSEMBLY ANTENNA BASE	BRACKET M6-1.0X18 SHOULDER BOLT (2)		4MM ALLEN WRENCH 2MM ALLEN WRENCH		RUBBER GROMMET

NOTE: THREAD LOCK COMPOUND SHOULD BE USED ON ALL HARDWARE

PLEASE READ THROUGH AND UNDERSTAND THESE INSTRUCTIONS BEFORE BEGINNING.

INSTALLATION:

1. ASSEMBLE THE ANTENNA BASE (1A), LOWER ANTENNA (1B), AND UPPER ANTENNA (1C) AS SHOWN IN DIAGRAM 1.
2. USING A 6MM ALLEN WRENCH REMOVE THE PASSENGER HANDGRIPS AND REMOVE THE SEAT.
3. USING A PHILLIPS SCREWDRIVER REMOVE THE FOUR SCREWS (2A) FROM INSIDE THE TRUNK TO REMOVE THE LEFT SIDE POCKET (2B).
4. LOCATE THE TWO MARKS ON THE INSIDE OF THE TRUNK. ON THE LEFT SIDE THE MARK LOOKS LIKE A "+" (SEE DIAGRAM 3 FOR THE LOCATION). DRILL A PILOT HOLE THROUGH EACH MARK AND THEN A 3/8" HOLE.
5. MAKE A MARK BETWEEN THE TWO HOLES AND DRILL A PILOT HOLE AND THEN A 3/8" HOLE. THIS HOLE IS FOR THE CABLE.
6. INSTALL THE CB ANTENNA ASSEMBLY (4A) USING THE BRACKET (4B) AND THE M6 SHOULDER BOLTS. REUSE THE EXISTING BOLT ON THE TRUNK FLOOR.
7. ROUTE THE WIRE THROUGH THE HOLE BEHIND THE LEFT POCKET. ON 2010 AND OLDER BIKES CONNECT THE ANTENNA TO THE CB CONNECTION UNDER THE SEAT. SEE STEPS 8 AND 9 FOR 2012 GOLDWING INSTRUCTIONS.
8. IF YOU HAVE A 2012 GOLDWING YOU WILL NEED TO MAKE THE CB CONNECTION BACK IN THE TRUNK. LOCATE THE BOSS ON THE INSIDE OF THE TRUNK (SEE DIAGRAM 5). DRILL A PILOT HOLE IN THE CENTER OF THE BOSS AS SHOWN IN THE DIAGRAM. IT MAY BE EASIER TO DRILL FROM THE OTHER SIDE OF THE TRUNK PANEL. FINISH BY DRILLING A 1/2" HOLE THROUGH THE BOSS.
9. CUT THE RUBBER GROMMET AS SHOWN IN DIAGRAM 6. PUT THE GROMMET AROUND THE CB ANTENNA CABLE AND ROUTE THE CABLE THROUGH THE HOLE YOU DRILLED IN THE TRUNK WALL. PRESS THE GROMMET INTO THE HOLE TO PROTECT THE CABLE FROM CHAFING. CONNECT THE ANTENNA TO THE CB RADIO CONNECTOR INSIDE THE RADIO COMPARTMENT.
10. TAKE A SWR READING TO SEE HOW THE RECEPTION IS ON YOUR BIKE. THIS SHOULD BE DONE ROUTINELY ESPECIALLY IF YOU ADD LIGHTING ACCESSORIES.
11. REASSEMBLY ALL REMOVED PARTS.

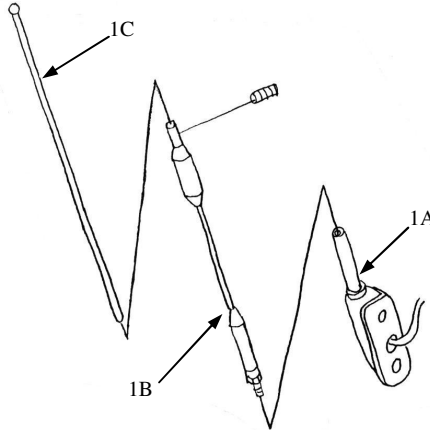


DIAGRAM 1

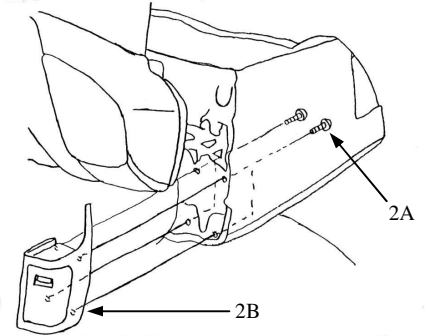


DIAGRAM 2

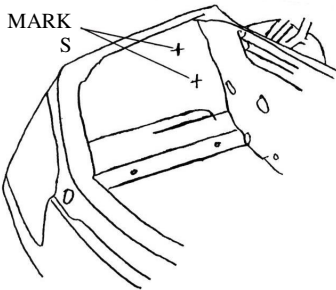


DIAGRAM 3

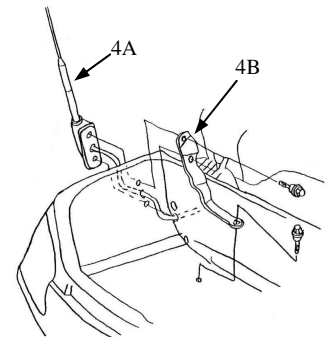


DIAGRAM 4

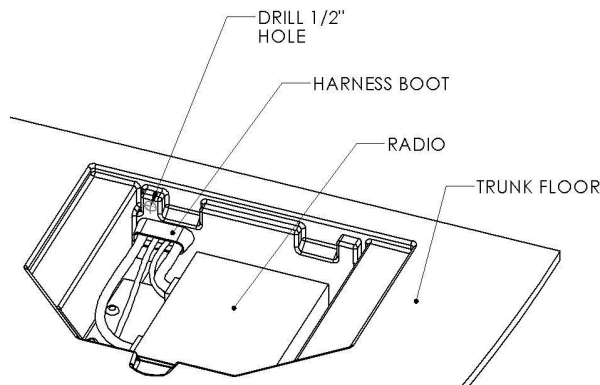


DIAGRAM 5

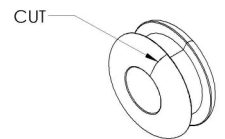


DIAGRAM 6