

BIG BIKE PARTS® INSTALLATION INSTRUCTIONS

PART NO. 2-430

TOUR LUGGAGE RACK
HONDA GL1500/6 GOLD WING

Copyright© 2007 by Big Bike Parts, Inc. No part of this instruction sheet may be reproduced without the written permission of Big Bike Parts, Inc.

ITEMS REQUIRED: #2 MEDIUM PHILLIPS SCREWDRIVER
3/4" MASKING TAPE
1/4" DRILL BIT & ELECTRIC DRILL
SMALL POINT MARKING PEN
CENTER PUNCH & HAMMER

NOTICE: YOU CAN ATTACH A HONDALINE SPOILER BEFORE OR AFTER INSTALLATION OF THIS RACK, PROVIDING RACK IS POSITIONED IN ACCORDANCE WITH THE BELOW INSTRUCTIONS.

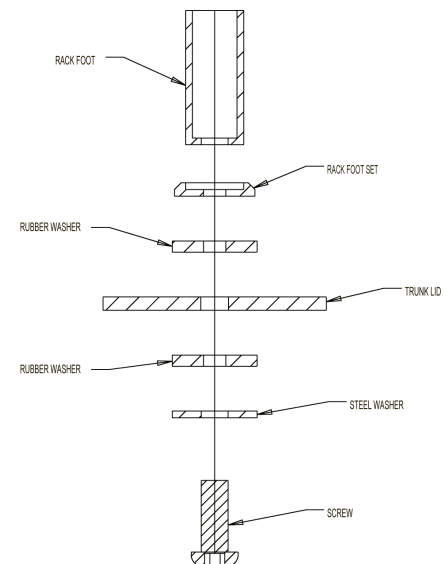
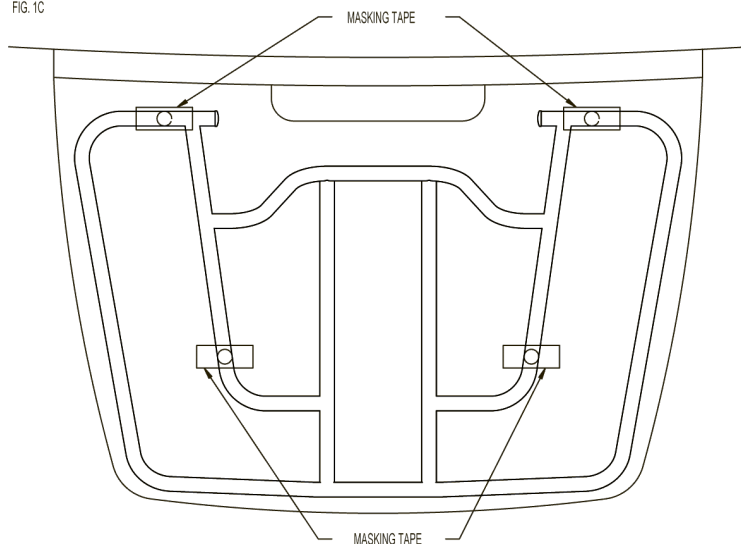
INSTALLATION:

1. POSITION RACK SQUARELY ON TRUNK LID AS FAR FORWARD AS POSSIBLE WITHOUT ALLOWING ENDS TO RUB ON PASSENGER BACKREST SECTION.
2. LIFT RACK SLIGHTLY AND PLACE THREE 3" - 4" PIECES OF MASKING TAPE UNDER EACH OF THE REAR LEGS. (FIG 1C).
3. USE A MARKING PEN TO OUTLINE EACH OF THE FOUR MOUNTING LEGS ONTO THE TAPE STRIPS.
4. REPOSITION THE RACK OVER THE MARKED CIRCLES TO MAKE CERTAIN THE RACK IS IN THE EXACT LOCATION YOU DESIRE. (IF NECESSARY, REMARK ANY INCORRECT CIRCLE MARKINGS.)
5. SET THE RACK ASIDE. USING THE CENTER PUNCH, MARK THE HOLE CENTERS IN THE FOUR MOUNTING LOCATIONS. DRILL 1/4" HOLES THROUGH THE LID.
6. CAREFULLY REMOVE ALL MASKING TAPE FROM LID AND LEGS. ATTACH RACK ACCORDING TO FIGURE 2. LOCTITE COULD BE USED TO ASSURE THE SCREWS STAY PERMANENTLY MOUNTED.

IMPORTANT:

THIS RACK WAS DESIGNED TO SAFELY CARRY A WEIGHT LOAD OF TEN POUNDS. OVERLOADING THE RACK MAY CAUSE DAMAGE TO THE TRUNK LID.

FIG. 1C



NOTICE:

THIS RACK MAY NOT FIT PERFECTLY WITH AN OEM SPOILER. THEREFORE, ENCLOSED IS AN ALTERNATIVE MOUNTING HARDWARE PACKAGE TO BE USED WITH AN OEM SPOILER. THE LARGER FOOT EXTENSION SHOULD BE INSTALLED ON TOP OF THE RUBBER WASHER AND BELOW THE METAL RACK FOOT SET. A LONGER SCREW HAS BEEN PROVIDED TO ACCOMMODATE THIS.