

Copyright© 2007 by Big Bike Parts, Inc. No part of this instruction sheet may be reproduced without the written permission of Big Bike Parts, Inc.

## SADDLEBAG REAR LIGHT WITH BRAKE LIGHT NO. 2-350

FOR HONDA GL1500/6  
GOLD WING MODEL

Revised 2/2/2009

ITEMS REQUIRED: FLAT BLADE SCREWDRIVER, #2 MEDIUM PHILLIPS SCREWDRIVER, 8MM WRENCH

### INSTALLATION:

1. REMOVE THE FOLLOWING:
  - A. USING THE FLAT BLADE SCREWDRIVER, PRY OFF THE TWO SNAP ON TRIM COVER PIECES (1A) FROM THE LOWER L/H SADDLEBAG CORNER COVER (1B).
  - B. USING THE #2 MEDIUM PHILLIPS SCREWDRIVER, REMOVE THE TWO PHILLIPS SCREWS (1C) AND THE LOWER L/H SADDLEBAG CORNER COVER (1B).
  - C. USING THE 8MM WRENCH, REMOVE THE TWO 5MM NUTS (1D) AND THE REAR REFLECTOR (1E).
  - D. DISCONNECT THE LEFT SIDE TAILLIGHT/STOPLIGHT CONNECTORS (2A).
2. FEED THE NEW CENTER LIGHT (2B) WIRE HARNESS DOWN THROUGH THE SQUARE HOLE (2C) INTO THE LOWER L/H SADDLEBAG CORNER (1B) CAVITY AND CONNECT THE PLUGS (2D) INTO THE TAILLIGHT/STOPLIGHT CONNECTORS (2A) IN SERIES.
3. USING THE 8MM WRENCH, INSTALL THE CENTER LIGHT (2B) USING THE 5MM NUTS (2E) REMOVED IN STEP 1C.
4. TEST THE SYSTEM FOR PROPER OPERATION.
5. RE-INSTALL THE REMOVED ITEMS BY REVERSING STEPS 1A & 1B.

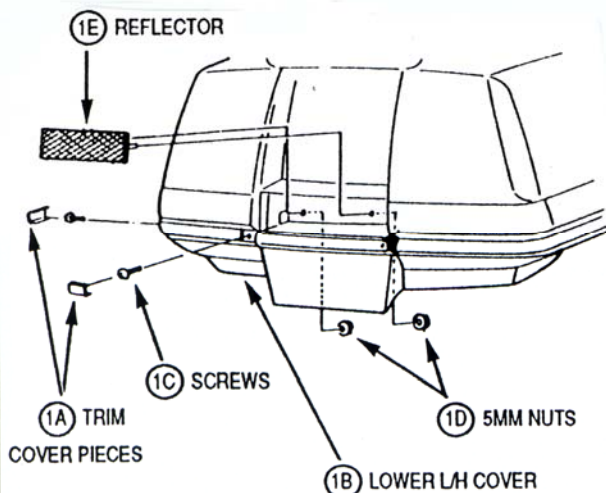


FIGURE #1

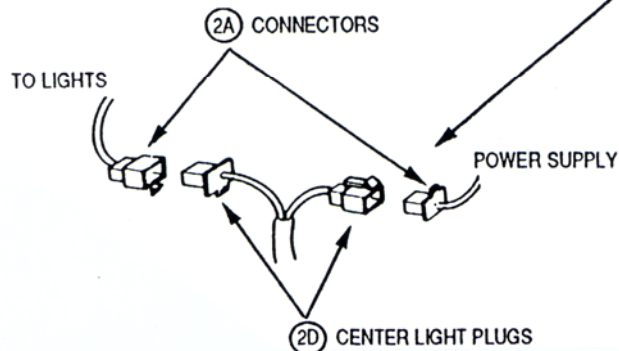


FIGURE #2