



Suzuki GSX-R 1000 (2007 - 2008)

Slip-On twin Exhaust System
open / street legal

Akrapovic Slip-On Exhaust System (open / street legal) for the Suzuki GSX-R 1000 (2007 - 2008)

The Akrapovic SLIP-ON is a partial system and is a base-level exhaust system tuning component. It provides a major performance improvement for the already powerful Suzuki. The system is designed for riders who are looking for a combination of performance, quality, simple installation and affordability. Racing-oriented riders should check out our Racing and Evolution complete systems. Please note that the SLIP-ON is available in open and homologated versions.

PERFORMANCE

Measurements of the Akrapovic SLIP-ON system on the SUZUKI GSX-R 1000 (without noise damper):

Power & Torque: The power curve with Akrapovic exhaust system is much more linear, from the bottom to the top of the power curve. Max. power of 172.5 HP is reached at 12000 rpm. The torque curve reflects the same compatibility with the operation of the engine. The increase can be seen throughout the entire rpm range, so you get bags of torque to go along with the loads of power. Biggest power gain of 3.3 HP is at 6800 rpm. All our measurements are with standard Suzuki mapping.

CONFIGURATION

The Akrapovic SLIP-ON system is composed of a cylindrical stainless steel or titanium link pipe and muffler. The link pipe is attached to the stock header assembly with sleeve joints and a metal clamp (for optional Y part only). The sleeve joint between the link pipe and the muffler is secured with a silicon-shielded spring. The muffler is attached to the frame with an Akrapovic carbon-fiber clamp. The inlet cap and inner perforation of the muffler are made entirely of titanium, and the outer sleeve is available in either titanium or carbon-fiber. The outlet cap is available only in carbon fiber.

	PERFORMANCE		
	stock	AKRAPOVIC	max. increased power
max. rear wheel power HP / rpm (measured on Dynojet ATV)	170.2 / 12100	172.5 / 12000	3.3 / 6800

	CONFIGURATION		
	header tubes	collector	link pipe
material	-	-	S.S. / Ti
tube shape	-	-	CYLINDRICAL

interference crossover tubes	-	lambda sensor	NO (YES-on optional Y part!)
header tube inner sleeves	-	header tube flanges	-
header tubes - collector connection	(for optional Y part only) SLEEVE JOINT + METAL CLAMP	collector / header tube - link pipe connection	SLEEVE JOINT + METAL CLAMP
link pipe - muffler connection	SLEEVE JOINT + SILICON SHIELDED SPRING	muffler inlet cap / outlet cap	Ti / Carb.-fiber
muffler metal interior	Ti	muffler outer sleeve	Ti / Carb.-fiber
muffler clamp	CARBON-FIBER	muffler bracket	-
muffler insert	EU	YES(track legal) / YES(street legal)	NO
	US	-	NO (STOCK)

	ADDITIONAL DATA				
	stock	AKRAPOVIC		difference	
weight comparison (kg)	6.54	S.S. link pipe	TITANIUM link pipe	stock - S.S.	stock - titanium
		3.92	3.59	2.53	2.95
optional Y part	3.73	0.57	0.33	3.16	3.4
noise measurements (dB / rpm)	stock		AKRAPOVIC		
	96 / 6000		(99.6 / 6000 - open) (96 / 6000 - homol.)		
possibility of periodic service without removing A.E.S.	oil		oil filter		
	YES		YES		
legal for street use	NO / YES				

Technical specifications of Akrapovic exhaust systems and related products subject to change without notice.

Product code: STREET LEGAL: 107858 (S-S10SO3-HZC), 107857 (S-S10SO3-HZT)
107856 (S-S10SO3T-HZC), 107855 (S-S10SO3T-HZT)
OPEN: 107888 (S-S10SO3-ZC), 107887 (S-S10SO3-ZT)
107886 (S-S10SO3T-ZC), 107885 (S-S10SO3T-ZT)

Akrapovic Slip-On Exhaust System (open / street legal) for the Suzuki GSX-R 1000 (2007 - 2008)



OPTIONAL Y-LINK PIPE
107890 (L-S10SO3/1)
107889 (L-S10SO3T/1)



CARBON-FIBER
MUFFLER CLAMPS

Product code: STREET LEGAL: 107858 (S-S10SO3-HZC), 107857 (S-S10SO3-HZT)
107856 (S-S10SO3T-HZC), 107855 (S-S10SO3T-HZT)
OPEN: 107888 (S-S10SO3-ZC), 107887 (S-S10SO3-ZT)
107886 (S-S10SO3T-ZC), 107885 (S-S10SO37-ZT)

Akrapovic Slip-On Exhaust System (open / street legal) for the Suzuki GSX-R 1000 (2007 - 2008)



Akrapovic Exhaust System Technology copyright 2007, all rights reserved

Road
Program

Product code: STREET LEGAL: 107858 (S-S10SO3-HZC), 107857 (S-S10SO3-HZT)
107856 (S-S10SO3T-HZC), 107855 (S-S10SO3T-HZT)
OPEN: 107888 (S-S10SO3-ZC), 107887 (S-S10SO3-ZT)
107886 (S-S10SO3T-ZC), 107885 (S-S10SO37-ZT)

Akrapovic Slip-On Exhaust System (open / street legal) for the Suzuki GSX-R 1000 (2007 - 2008)



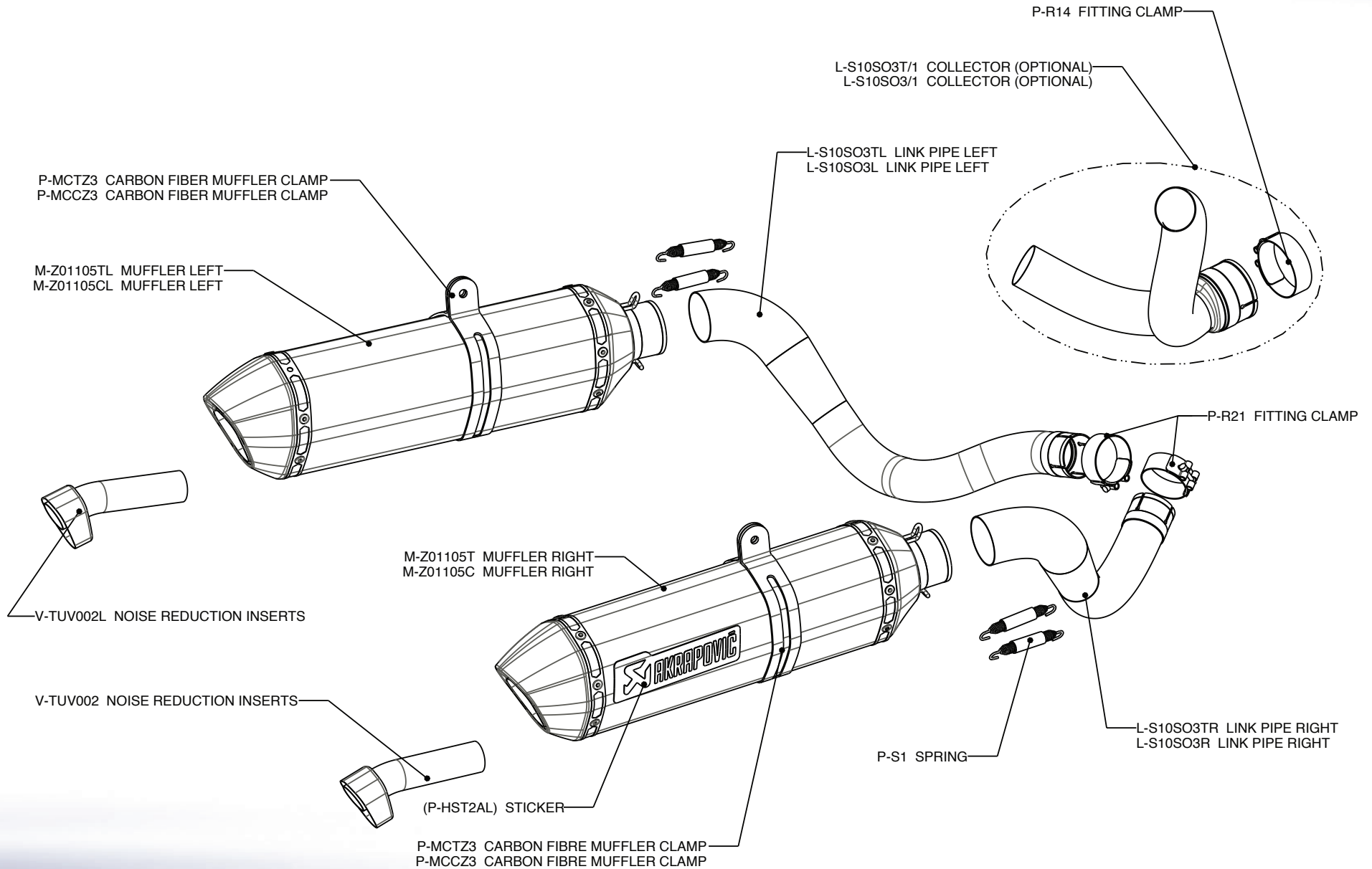
Akrapovic Exhaust System Technology copyright 2007, all rights reserved

Road Program

Product code: STREET LEGAL: 107858 (S-S10SO3-HZC), 107857 (S-S10SO3-HZT)
107856 (S-S10SO3T-HZC), 107855 (S-S10SO3T-HZT)
OPEN: 107888 (S-S10SO3-ZC), 107887 (S-S10SO3-ZT)
107886 (S-S10SO3T-ZC), 107885 (S-S10SO37-ZT)

Akrapovic Slip-On Exhaust System (open)

for the Suzuki GSX-R 1000 (2007 - 2008)

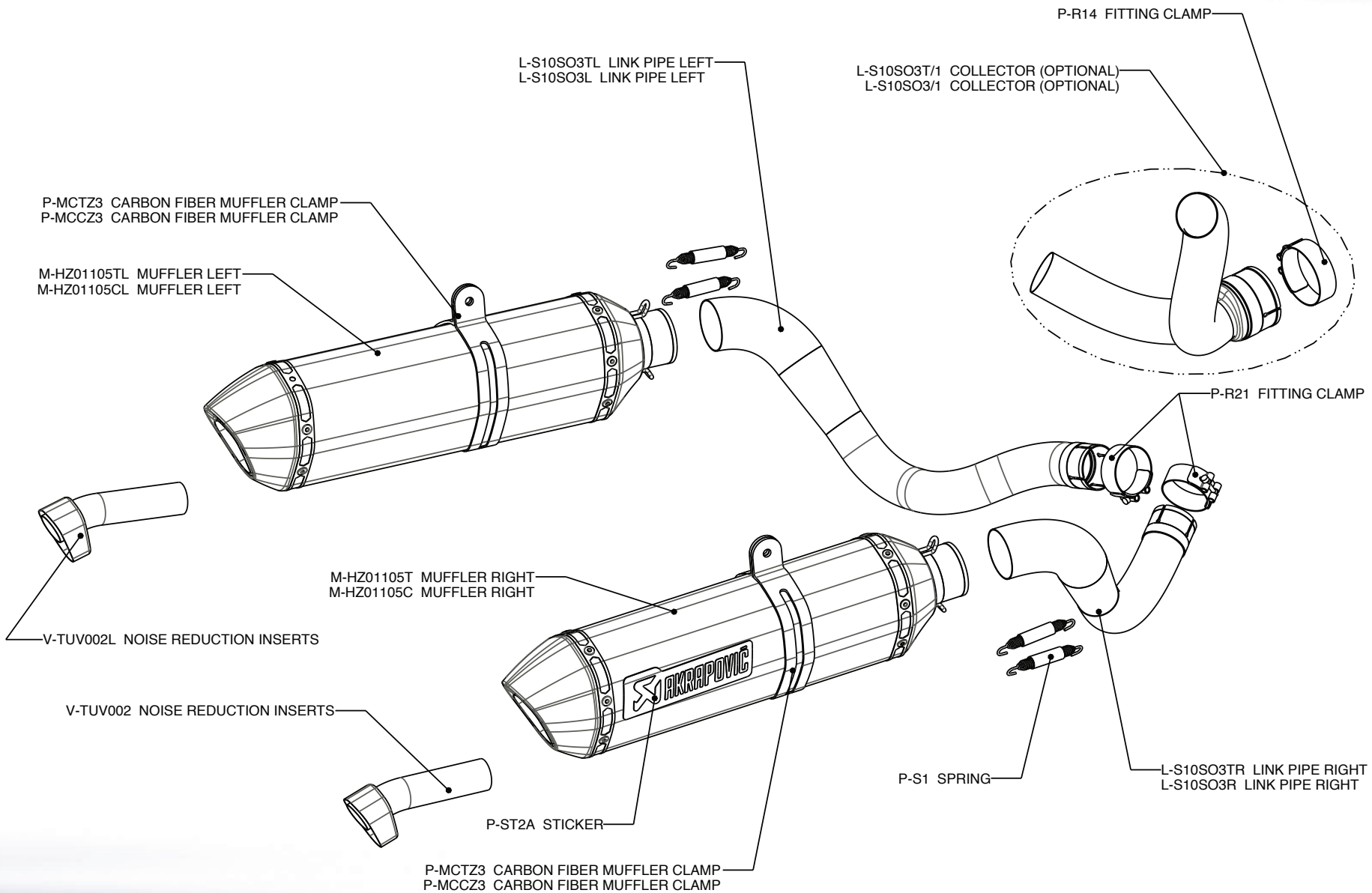


Akrapovic Exhaust System Technology copyright 2007, all rights reserved

Road Program

Product code: OPEN: 107888 (S-S10SO3-ZC), 107887 (S-S10SO3-ZT)
107886 (S-S10SO3T-ZC), 107885 (S-S10SO37-ZT)

Akrapovic Slip-On Exhaust System (street legal) for the Suzuki GSX-R 1000 (2007 - 2008)



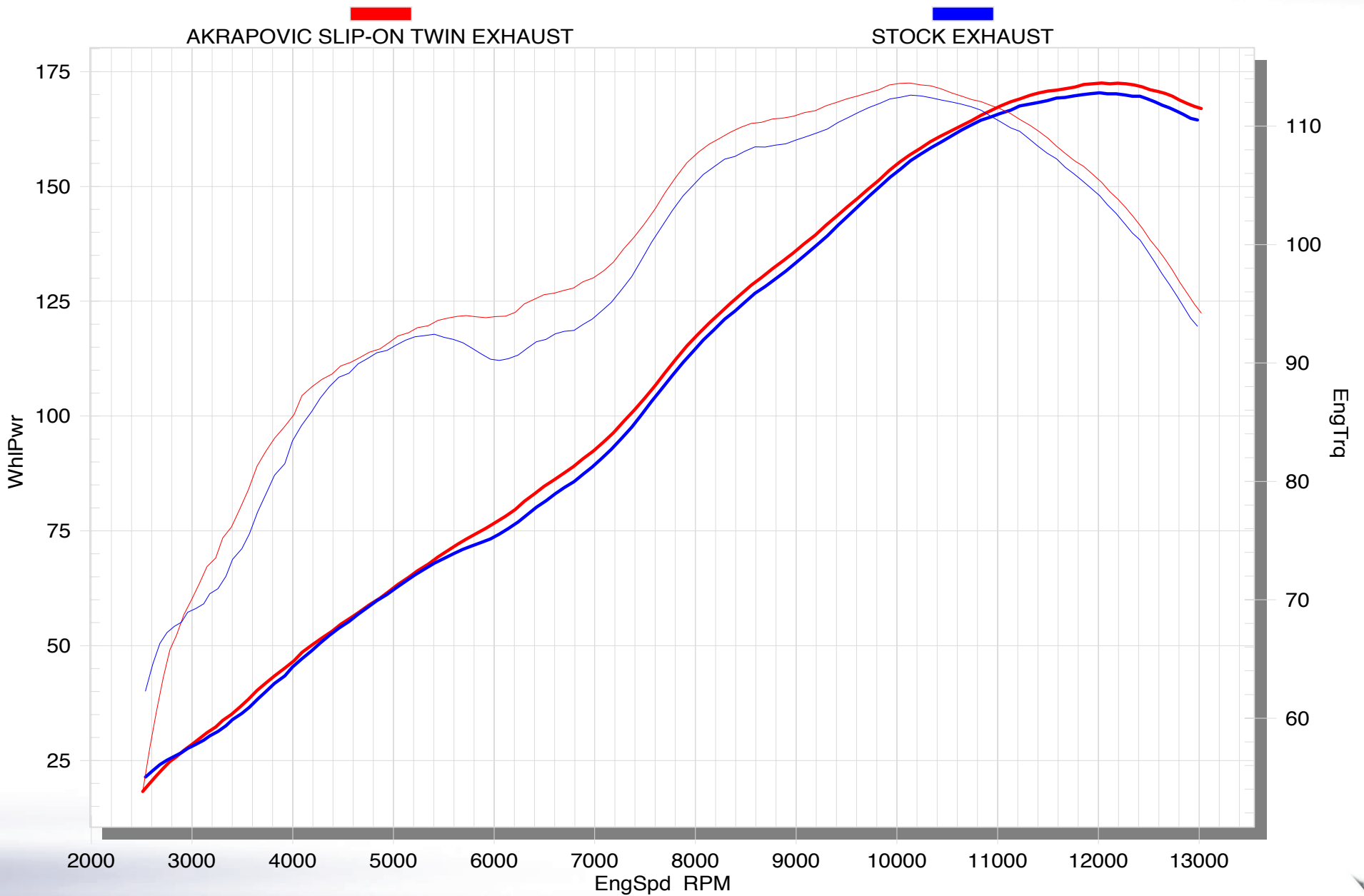
Road Program

Product code: STREET LEGAL: 107858 (S-S10SO3-HZC), 107857 (S-S10SO3-HZT)
107856 (S-S10SO3T-HZC), 107855 (S-S10SO3T-HZT)



Akrapovic Exhaust System Technology copyright 2007, all rights reserved

Akrapovic Slip-On Exhaust System (open) for the Suzuki GSX-R 1000 (2007 - 2008)



Road Program

Product code: STREET LEGAL: 107858 (S-S10SO3-HZC), 107857 (S-S10SO3-HZT)
 107856 (S-S10SO3T-HZC), 107855 (S-S10SO3T-HZT)
 OPEN: 107888 (S-S10SO3-ZC), 107887 (S-S10SO3-ZT)
 107886 (S-S10SO3T-ZC), 107885 (S-S10SO37-ZT)



Akrapovic Exhaust System Technology copyright 2007, all rights reserved