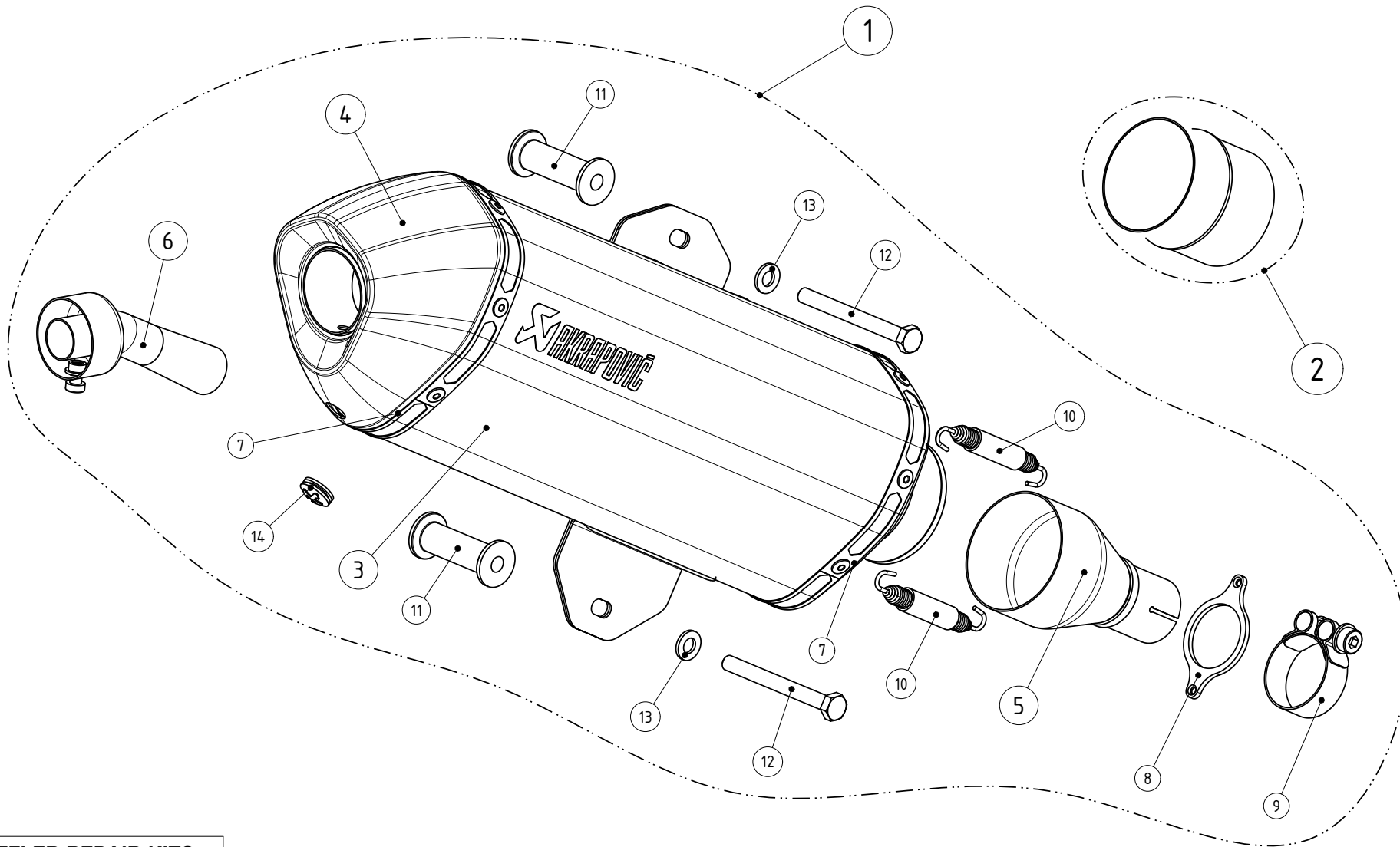


WARNING! EC TYPE APPROVAL IS VALID ONLY WHEN OPTIONAL CATALYTIC CONVERTER IS INSTALLED!



MUFFLER REPAIR KITS	
REPACK	15
SLEEVE	16

No.	SALES CODE	DESCRIPTION	QTY.
1	S-PI3SO5-HRSS	slip on system	1
2	P-KAT-028	catalyst	1
3	M-HR02702SS/7	muffler	1
4	V-EC146	end cap CA	1
5	L-PI3SO1SS	link pipe	1
6	V-TUV018	insert SS	1
7	P-TT45	belt TI for SS sleeve	2
8	P-F51	flange SS	1
9	P-R52	clamp SS	1
10	P-S2	spring	2
11	P-DR59	distance ring AL	2
12	P-FB76	bolt	2
13	P-DR4	washer SS	2
14	P-GUV004	rubber insert	1
15	P-RPCK58	muffler repack kit	1
16	P-RKS343	muffler sleeve kit	1