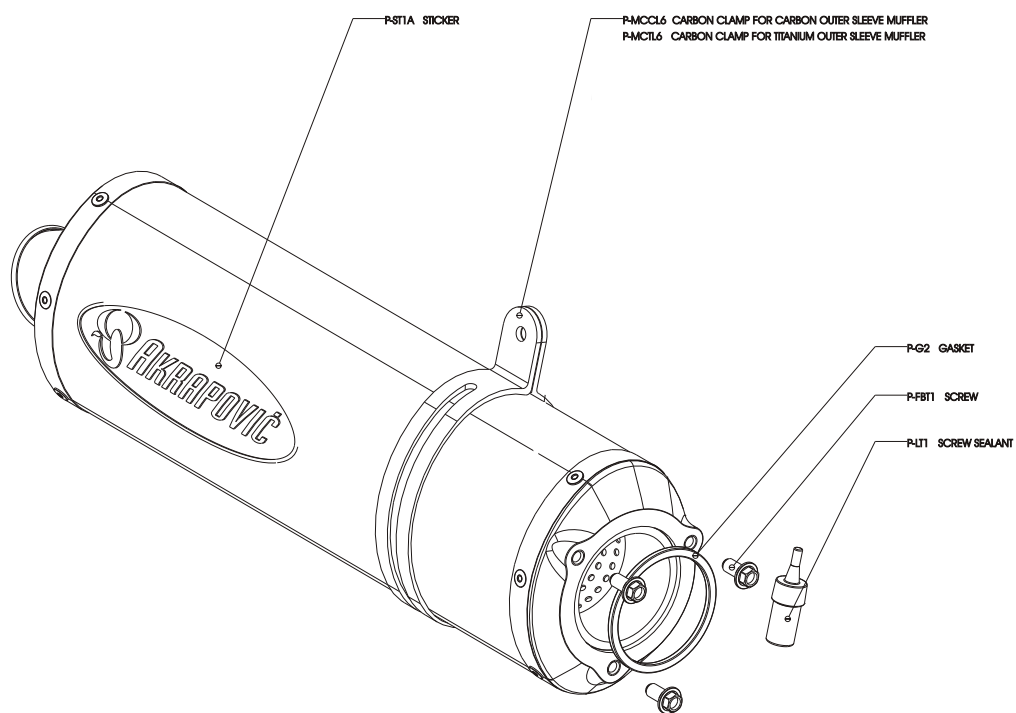


KAWASAKI ZX-6R Bolt-on system, model year: 1998, 1999, 2000, 2001, 2002

Product code: S-K6BO1-C
S-K6BO1-T



NAV - 053