



Honda CBR 600 RR (2006)

Slip-On Exhaust System

# Akrapovic Slip-On Exhaust System

for the Honda CBR 600 RR (2006)

Despite the racing character of the bike, the Akrapovic SLIP-ON exhaust system is designed for recreational riders who are looking for increased performance without a major exhaust system modification, and the looks enhancement provided by the HEXAGONAL muffler, which fits beautifully with the lines of the motorcycle (SP series: oval muffler design). Riders who require maximum performance should see our Akrapovic Racing and Evolution systems. The Street Legal version and SP series of the Akrapovic Slip-On system has a noise damper installed in the muffler which conforms to all requirements for street use.

## PERFORMANCE

Measurements of the Akrapovic SLIP-ON system on the HONDA CBR 600 RR (without muffler insert):

Power & Torque: the system follows the stock power curve at the low end of the rpm range. From 8000 rpm on, the Akrapovic Slip-On adds a significant increase in power, all the way up to the top of the range. This is where the real "working range" of the 600cc Honda supersport begins. Max. increased power is delivered at 8800 rpm. The torque increase is spread throughout the entire rpm range and is suited to more relaxed everyday riding without winding it out at the top of the range.

## CONFIGURATION

The system is composed of a cylindrical stainless steel or titanium link pipe and muffler. They are attached with a sleeve joint secured with two springs. The joint between the link pipe and the stock header assembly is identical, but is secured using a metal clamp. The muffler is the HEXAGONAL design (SP series: oval muffler design) and fits extremely well with the lines of the Honda. For models with the stainless steel link pipe the muffler is composed of a stainless steel inlet cap and perforated inner sleeve, and a carbon fiber outlet cap. Models with the titanium link pipe have a titanium inlet cap and perforated inner sleeve, and a carbon fiber outlet cap. The outer sleeve is available in either titanium or carbon fiber. The muffler is attached to the frame using an Akrapovic carbon fiber clamp.

The Street Legal version and SP series have a noise damper installed in the muffler which conforms to all exhaust system noise level requirements for street use.

|  | PERFORMANCE   |               |                      |
|--|---------------|---------------|----------------------|
|  | stock         | AKRAPOVIC     | max. increased power |
| max. rear wheel power<br>HP / rpm<br>(measured on Dynojet ATV) | 108.8 / 13600 | 110.9 / 13750 | 3.5 / 8600           |

|            | CONFIGURATION |           |                             |
|------------|---------------|-----------|-----------------------------|
|            | header tubes  | collector | link pipe                   |
| material   | -             | -         | STAINLESS STEEL<br>TITANIUM |
| tube shape | -             | -         | CYLINDRICAL                 |

|                                     |  |  |   |
|-------------------------------------|--|--|---|
| interference crossover tubes        | -                                      | lambda sensor                                  | -   |
| header tube inner sleeves           | -                                      | header tube flanges                            | -   |
| header tubes - collector connection | -                                      | collector / header tube - link pipe connection | SLEEVE JOINT + METAL CLAMP  |
| link pipe - muffler connection      | SLEEVE JOINT + SILICON SHIELDED SPRING | muffler inlet cap / outlet cap                 | STAINLESS STEEL, TITANIUM / CARBON-FIBER, (STAINLESS STEEL (SP series)) |
| muffler metal interior              | STAINLESS STEEL<br>TITANIUM            | muffler outer sleeve                           | TITANIUM<br>CARBON-FIBER  |
| muffler clamp                       | CARBON-FIBER                           | muffler bracket                                | -   |
| muffler insert                      | EU                                     | NOISE DAMPER                                   | heat shield   |
|                                     | US                                     | -  | catalytic converter   |

|   | ADDITIONAL DATA                             |                |  |              |                  |
|---|---|----------------|--|--------------|------------------|
|   | stock                                       | AKRAPOVIC      |  | difference   |                  |
|   |   | S.S. link pipe | TITANIUM link pipe                             | stock - S.S. | stock - titanium |
| weight comparison (kg)                                  | 4.13  | 2.42           | 1.80   | 1.71         | 2.33             |
| noise measurements (dB / rpm)                           | stock                                       |                | AKRAPOVIC                                      |              |                  |
|   | 94 / 6500                                   |                | 94 / 6500 (homologated)<br>101.5 / 6500 (open) |              |                  |
| possibility of periodic service without removing A.E.S. | oil   |                | oil filter                                     |              |                  |
|   | YES   |                | YES  |              |                  |
| legal for street use                                    | NO / YES (Street Legal version & SP series) |                |  |              |                  |

Technical specifications of Akrapovic exhaust systems and related products subject to change without notice.

Product code: 106069 (SS-H6SO10-HLT), 106070 (SS-H6SO10-HLC) SP Series street legal  
106133 (S-H6SO10-WC), 106132 (S-H6SO10-WT)  
106137 (S-H6SO10T-WC), 106136 (S-H6SO10T-WT) titanium link pipe  
106131 (S-H6SO10-HWC), 106130 (S-H6SO10-HWT) homologated  
106135 (S-H6SO10T-HWC), 106134 (S-H6SO10T-HWT) homologated titanium link pipe

# Akrapovic Slip-On Exhaust System for the Honda CBR 600 RR (2006)



CARBON-FIBER  
MUFFLER CLAMP

Product code: 106069 (SS-H6SO10-HLT), 106070 (SS-H6SO10-HLC) SP Series street legal  
106133 (S-H6SO10-WC), 106132 (S-H6SO10-WT)  
106137 (S-H6SO10T-WC), 106136 (S-H6SO10T-WT) titanium link pipe  
106131 (S-H6SO10-HWC), 106130 (S-H6SO10-HWT) homologated  
106135 (S-H6SO10T-HWC), 106134 (S-H6SO10T-HWT) homologated titanium link pipe

# Akrapovic Slip-On Exhaust System

for the Honda CBR 600 RR (2006)



Product code: 106069 (SS-H6SO10-HLT), 106070 (SS-H6SO10-HLC) SP Series street legal  
 106133 (S-H6SO10-WC), 106132 (S-H6SO10-WT)  
 106137 (S-H6SO10T-WC), 106136 (S-H6SO10T-WT) titanium link pipe  
 106131 (S-H6SO10-HWC), 106130 (S-H6SO10-HWT) homologated  
 106135 (S-H6SO10T-HWC), 106134 (S-H6SO10T-HWT) homologated titanium link pipe

# Akrapovic Slip-On Exhaust System for the Honda CBR 600 RR (2006)

Akrapovic Exhaust System Technology copyright 2006, all rights reserved

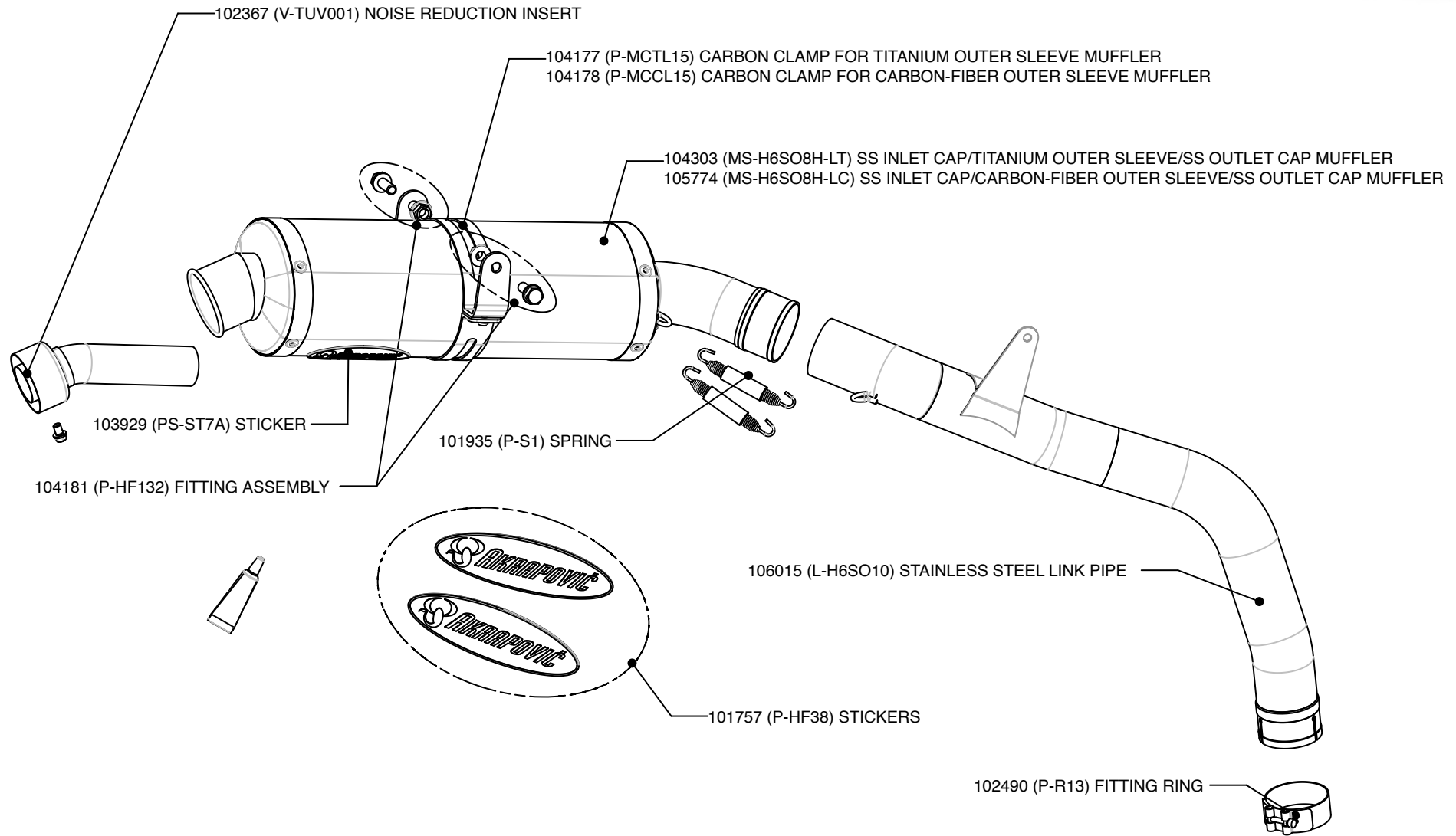


Road Program

Product code: 106069 (SS-H6SO10-HLT), 106070 (SS-H6SO10-HLC) SP Series street legal  
106133 (S-H6SO10-WC), 106132 (S-H6SO10-WT)  
106137 (S-H6SO10T-WC), 106136 (S-H6SO10T-WT) titanium link pipe  
106131 (S-H6SO10-HWC), 106130 (S-H6SO10-HWT) homologated  
106135 (S-H6SO10T-HWC), 106134 (S-H6SO10T-HWT) homologated titanium link pipe



# Akrapovic Slip-On Exhaust System for the Honda CBR 600 RR (2006)

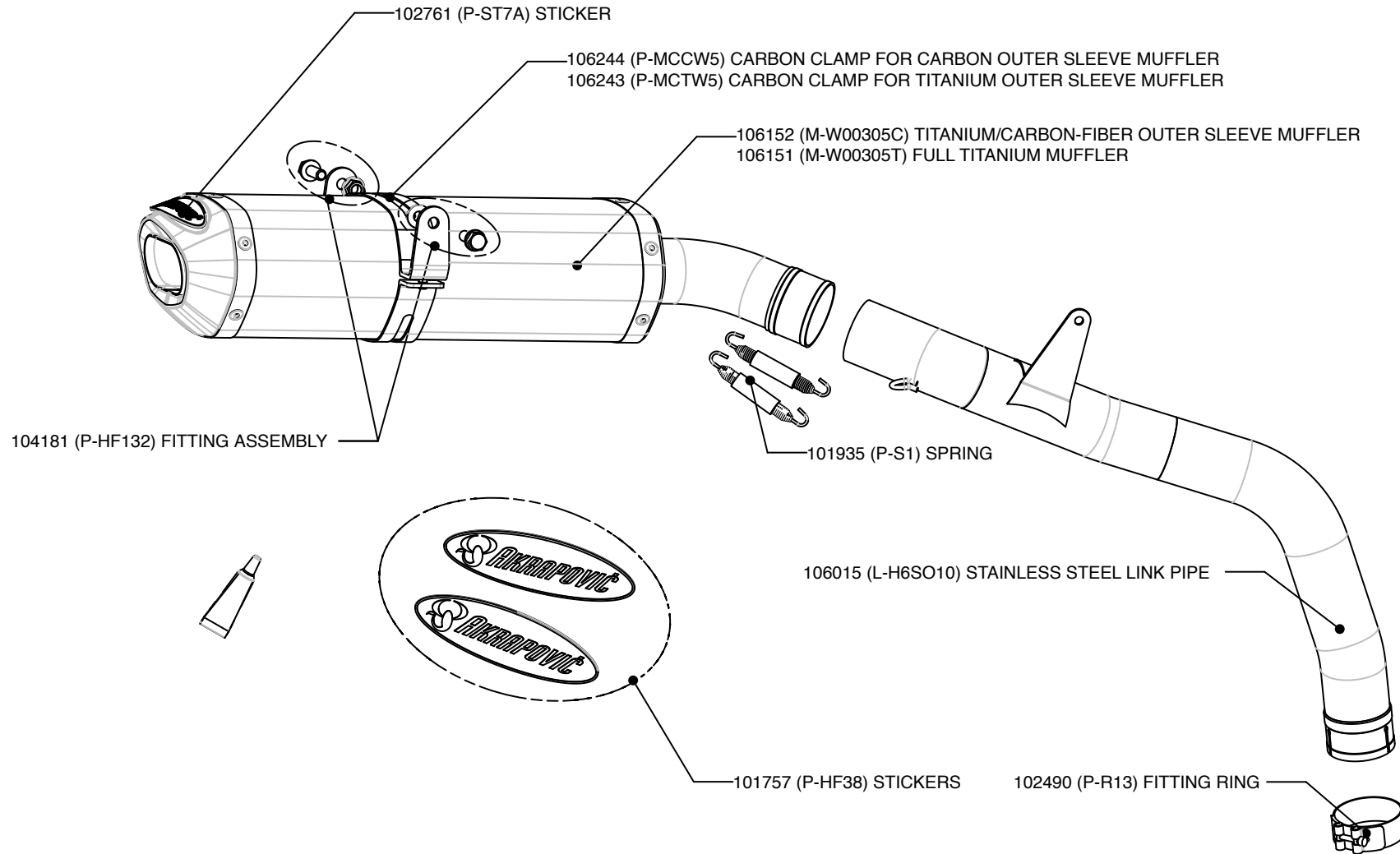


Akrapovic Exhaust System Technology copyright 2006, all rights reserved

Road Program

Product code: 106069 (SS-H6SO10-HLT), 106070 (SS-H6SO10-HLC) SP Series street legal

# Akrapovic Slip-On Exhaust System for the Honda CBR 600 RR (2006)

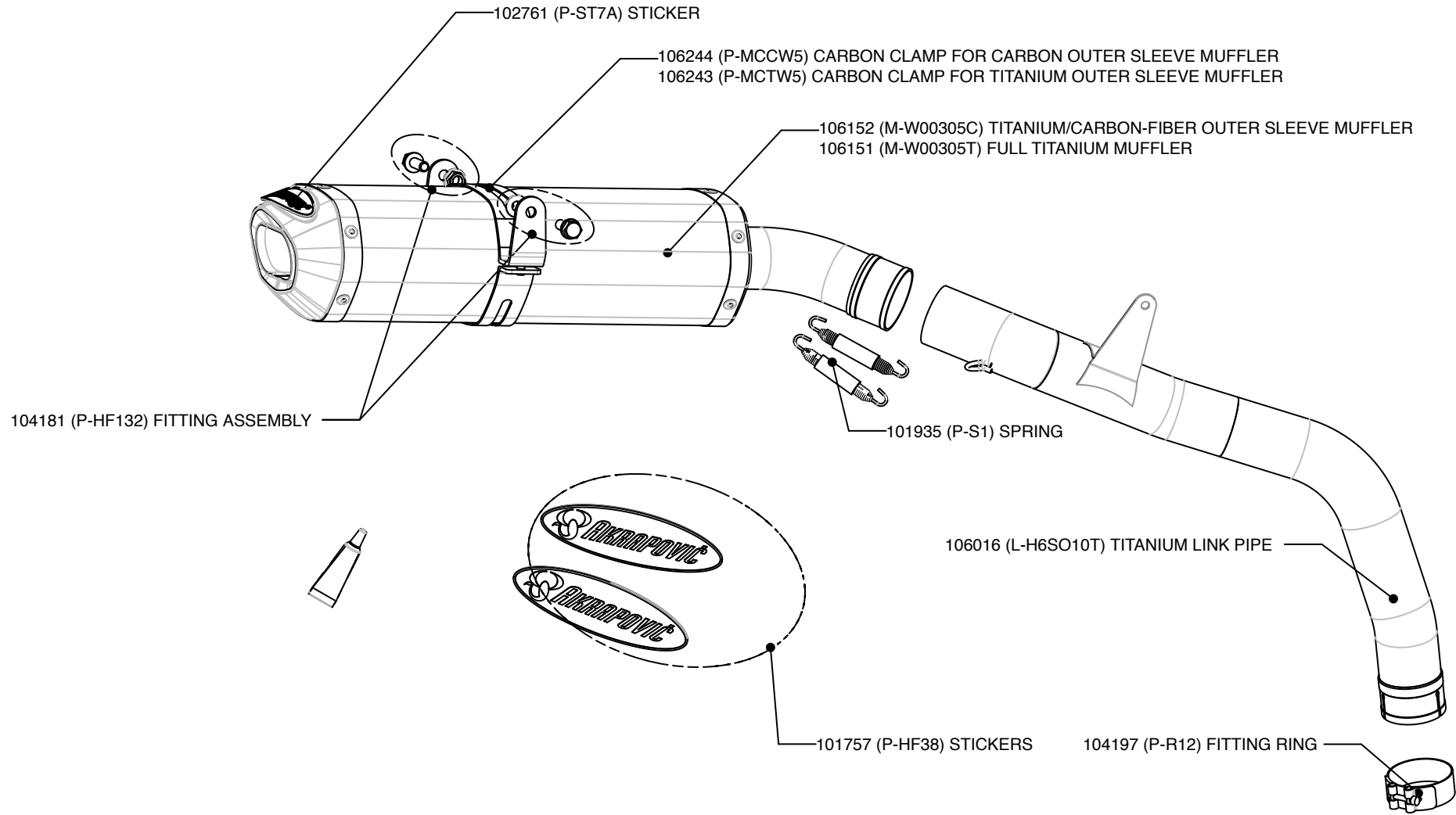


Akrapovic Exhaust System Technology copyright 2006, all rights reserved

Road Program

Product code: 106133 (S-H6SO10-WC), 106132 (S-H6SO10-WT)

# Akrapovic Slip-On Exhaust System for the Honda CBR 600 RR (2006)



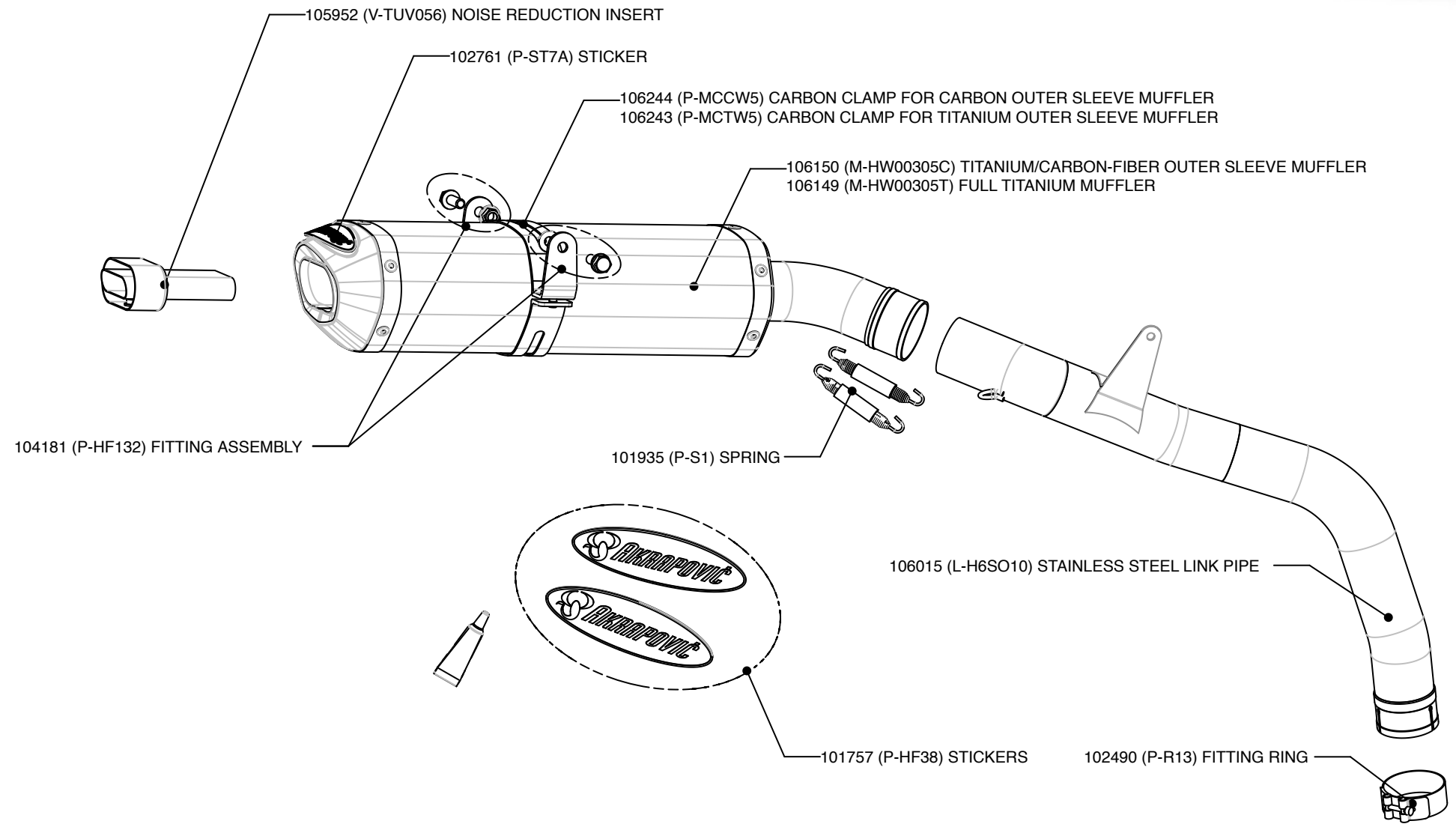
Product code: 106137 (S-H6SO10T-WC), 106136 (S-H6SO10T-WT) titanium link pipe

Road Program

Akrapovic Exhaust System Technology copyright 2006, all rights reserved



# Akrapovic Slip-On Exhaust System for the Honda CBR 600 RR (2006)



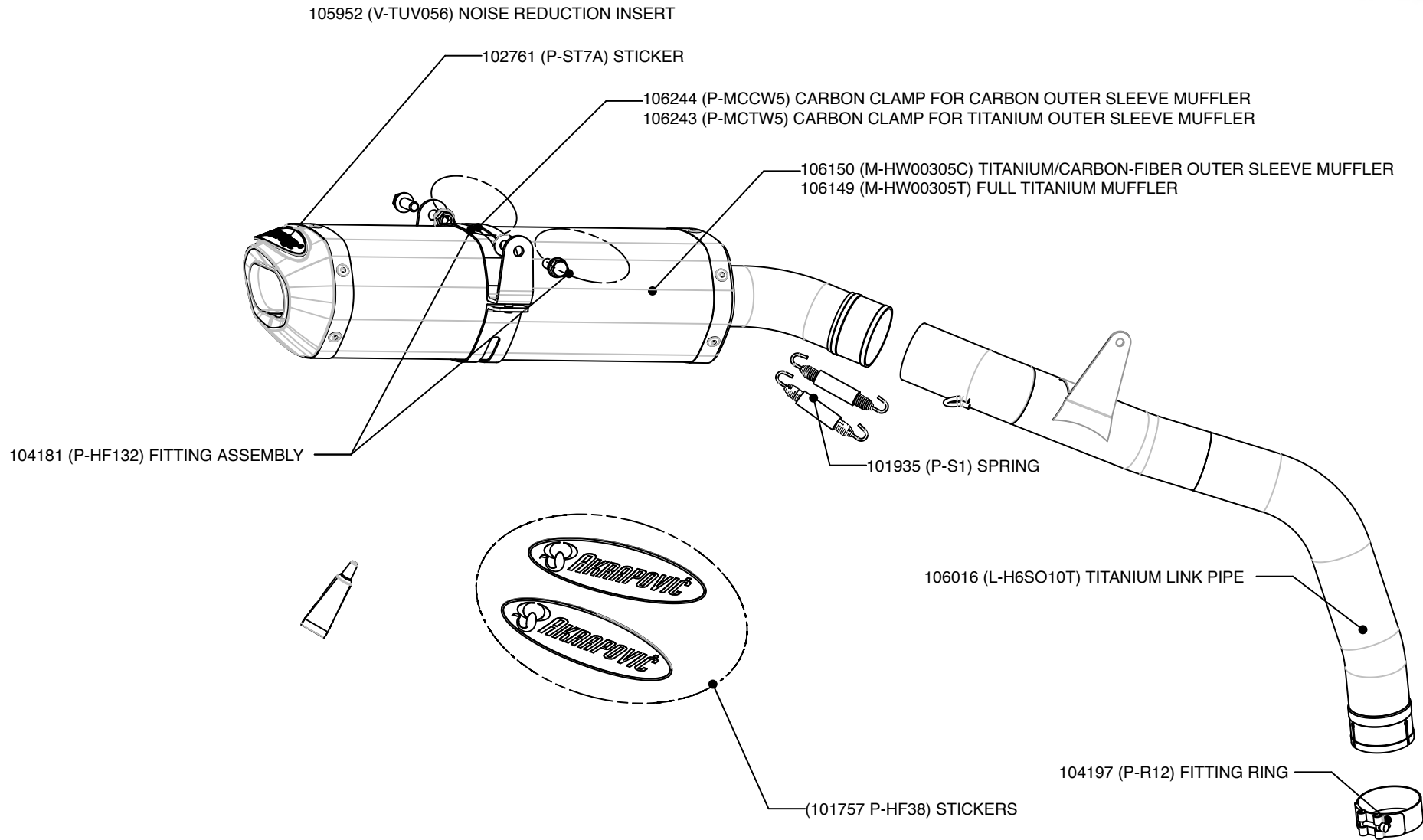
Road Program

Product code: 106131 (S-H6SO10-HWC), 106130 (S-H6SO10-HWT) homologated



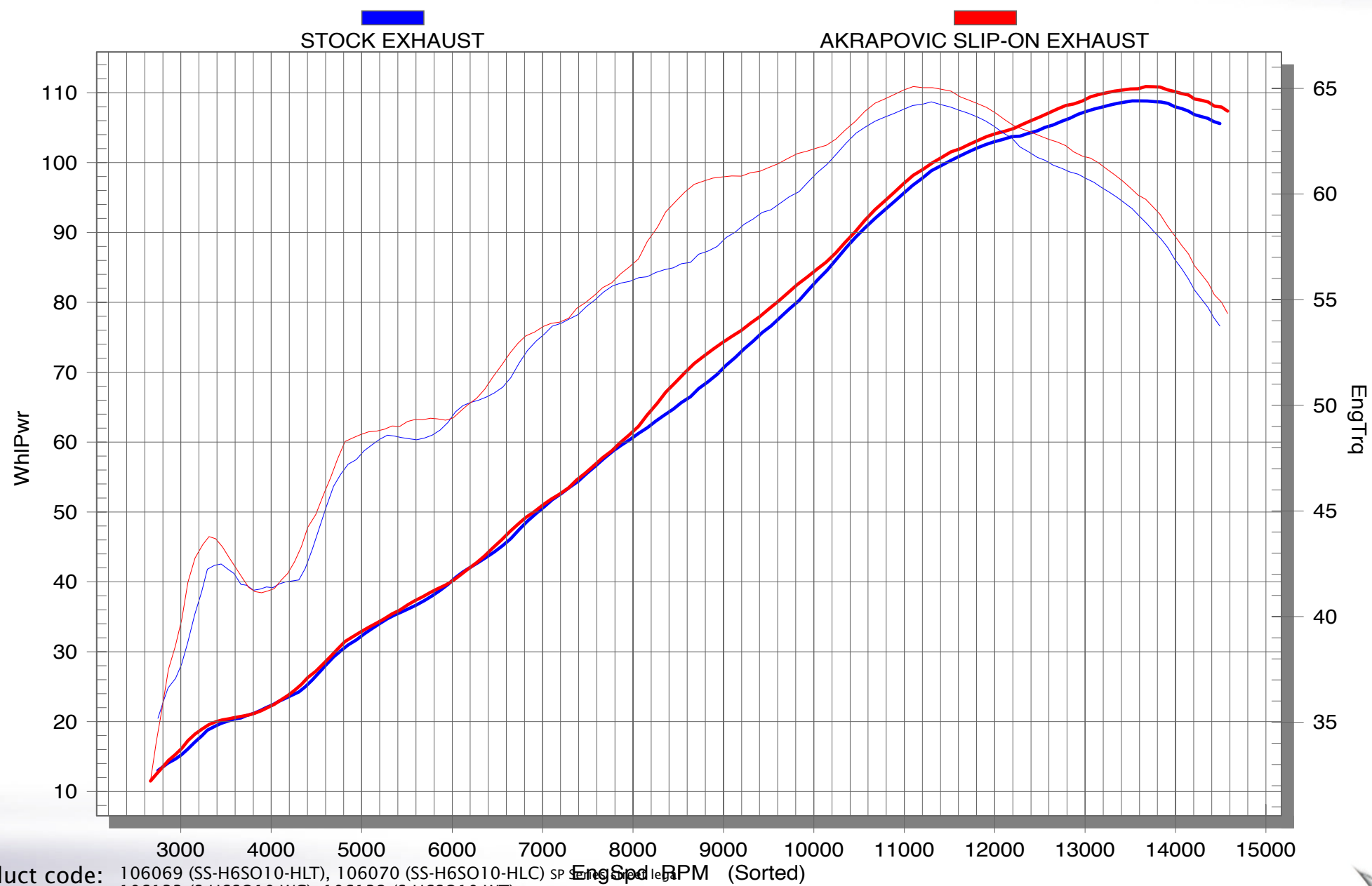
Akrapovic Exhaust System Technology copyright 2006, all rights reserved

# Akrapovic Slip-On Exhaust System for the Honda CBR 600 RR (2006)



Product code: 106135 (S-H6SO10T-HWC), 106134 (S-H6SO10T-HWT) homologated titanium link pipe

# Akrapovic Slip-On Exhaust System for the Honda CBR 600 RR (2006)



Road Program

Product code: 106069 (SS-H6SO10-HLT), 106070 (SS-H6SO10-HLC) SP  
 106133 (S-H6SO10-WC), 106132 (S-H6SO10-WT)  
 106137 (S-H6SO10T-WC), 106136 (S-H6SO10T-WT) titanium link pipe  
 106131 (S-H6SO10-HWC), 106130 (S-H6SO10-HWT) homologated  
 106135 (S-H6SO10T-HWC), 106134 (S-H6SO10T-HWT) homologated titanium link pipe

[www.akrapovic-exhaust.com](http://www.akrapovic-exhaust.com)



Akrapovic Exhaust System Technology copyright 2006, all rights reserved