



Installation instructions

Akrapovič Exhaust System
Racing&Evolution
for the
BMW R1200GS 2010



502471

Congratulations on purchasing an Akrapovič exhaust system. Please read the entire installation manual prior to undertaking any activities related to installation of your new Akrapovič exhaust system. In case you do not fully understand the manual or any of its parts, please contact your authorized dealer!

This product should be installed by someone with sufficient knowledge of exhaust systems and their installation, and appropriate hand or power tools. If you are not qualified for this work, please utilize a certified mechanic for installation. By installing Your Akrapovič exhaust system, you indicate that you have read the installation manual in its entirety and you agree with the terms stated herein.

It is your responsibility to follow all installation instruction guidelines supplied with the Akrapovič exhaust system and undertake all necessary safety precautions. Akrapovič d.d. assumes no responsibility for damages occurring from misuse, abuse, improper installation, improper operation, lack of responsible care, or all previously stated reasons resulting from incompatibility with other manufacturer's products and/or systems.

IMPORTANT INFORMATION

Exclusion of Certain Liability

1. The manufacturer, importer or dealer shall not be liable for any incidental damage including personal injury or any other damages caused by improper installation or operation of the Akrapovič exhaust system. When installing the Akrapovič exhaust system be careful that the exhaust system does not touch other parts sensitive to high temperature.
2. Akrapovič makes no representation or warranties with regard to damage caused by the improper installation, use and maintenance of the Akrapovič exhaust system. The warranty is limited to defects recognized by our technical department and due to normal use, and excludes items subject to normal wear (gaskets and damping wool). The guarantee is void in case of accident, modification, improper or competition use.
3. Do not attempt to install the Akrapovič exhaust system on a vehicle model for which it was not made or tested by Akrapovič.
4. When the exhaust system gets very hot during operation, be careful not to burn yourself on the exhaust system or parts which are in direct contact with it, even when the engine is not running. Also protect other people, especially children, from the injuries mentioned above.
5. In some cases Akrapovič exhaust system kits contain chemical products (ceramic anti-seizing grease; bolt sealant). Handle with care, do not inhale or swallow. Avoid excessive contact with skin, eyes or mucous membranes. Keep out of reach of children.
6. Technical specifications of Akrapovič exhaust systems and related products are subject to change without notice.
7. Before removing the original exhaust system from your vehicle, please compare the parts you received with the list of materials provided in the installation manual in order to assure that you have all the parts necessary for the installation of your new Akrapovič exhaust system.
8. Although this manual consists of instructions for installation in written form, as well as photographs and pictures representing individual steps of the installation, please note that the photographs and pictures are symbolic and are intended for representation of general overview only. The photographs and pictures contained herein should serve as a guideline only and actual installation of the exhaust system may not correspond with the photographs and pictures entirely.
9. The process of uninstalling the original exhaust system may vary depending on the existing exhaust system. Please follow the original exhaust system manufacturer's instructions for uninstalling the original exhaust system.

Trademarks

The Akrapovič Exhaust System Technology logo is a registered trademark of Akrapovič d.d.

Akrapovič website

Information about Akrapovič exhaust systems and related products is available on the Akrapovič website at: <http://www.akrapovic.com/>

Copyright

No part of the Akrapovič exhaust system or its documentation may be reproduced or distributed in any form or by any means without the prior written authorization of the Akrapovič company.

© Akrapovič, d.d. All rights reserved.

Symbols

The following symbols are used throughout these installation instructions:



TOOLS REQUIRED



TIGHTENING TORQUE



INSTALLATION TIP



CAUTION OR WARNING



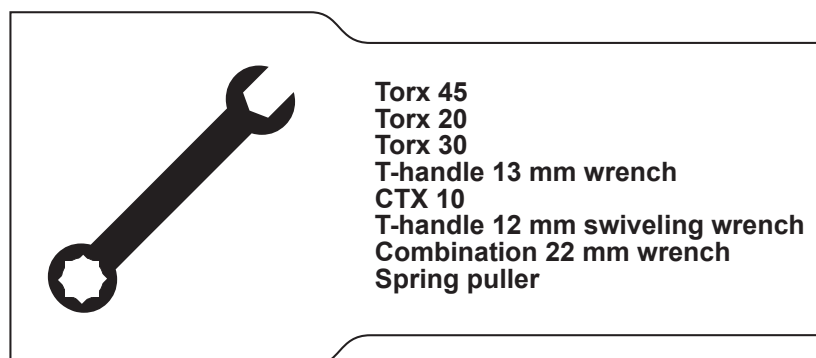
USE BOLT SEALANT; Apply 3 to 4 small drops of bolt sealant onto the cleaned and degreased threads before tightening the bolts. **WARNING! Avoid contact with skin, eyes and mucous membranes. Do not inhale fumes. Keep out of reach of children.**



USE ANTI-SEIZE LEAD-FREE COPPER PASTE (black tube); Provides trouble-free and long-lasting protection against seizing, corrosion and rusting of bolts, threaded ends, nuts, joints, etc. Also protects against vibration, wear and impact. **WARNING! Avoid eye contact. Avoid excessive skin contact. Keep out of reach of children.**



USE ANTI-SEIZING GREASE (white tube); Prevents seizing, corrosion and excessive wear between the titanium components of your exhaust system. **WARNING! Avoid eye contact. Avoid excessive skin contact. Keep out of reach of children.**



BEFORE INSTALLING, CHECK SCHEMATIC OF THE EXHAUST SYSTEM!



IF ANY ITEMS IN THE AKRAPOVIČ EXHAUST SYSTEM PACKAGE ARE MISSING, PLEASE CONTACT YOUR AUTHORIZED DEALER. KEEP THE SCHEMATIC FOR FUTURE REFERENCE.



THESE INSTALLATION INSTRUCTIONS MUST BE READ CAREFULLY IN ORDER TO ENSURE PROPER INSTALLATION AND OPERATION OF THE AKRAPOVIČ EXHAUST SYSTEM.



THE EXHAUST SYSTEM CAN BE EXTREMELY HOT. ALLOW THE EXHAUST AND ENGINE TO COOL DOWN BEFORE BEGINNING INSTALLATION.



WE ADVISE YOU TO LEAVE INSTALLATION TO A QUALIFIED SERVICEMAN. IMPROPER INSTALLATION MAY RESULT IN A SHORTER LIFETIME OF THE EXHAUST SYSTEM AND/OR DAMAGE TO THE VEHICLE.

REMOVAL OF STOCK EXHAUST SYSTEM:

1. Put the motorcycle on a side stand, we recommend a racing stand. Make sure, that surface is solid and flat.
2. Unscrew the marked bolts from the metal clamp at the muffler - collector joint and from muffler bracket (**Figure 1**). Remove the muffler off the motorcycle.

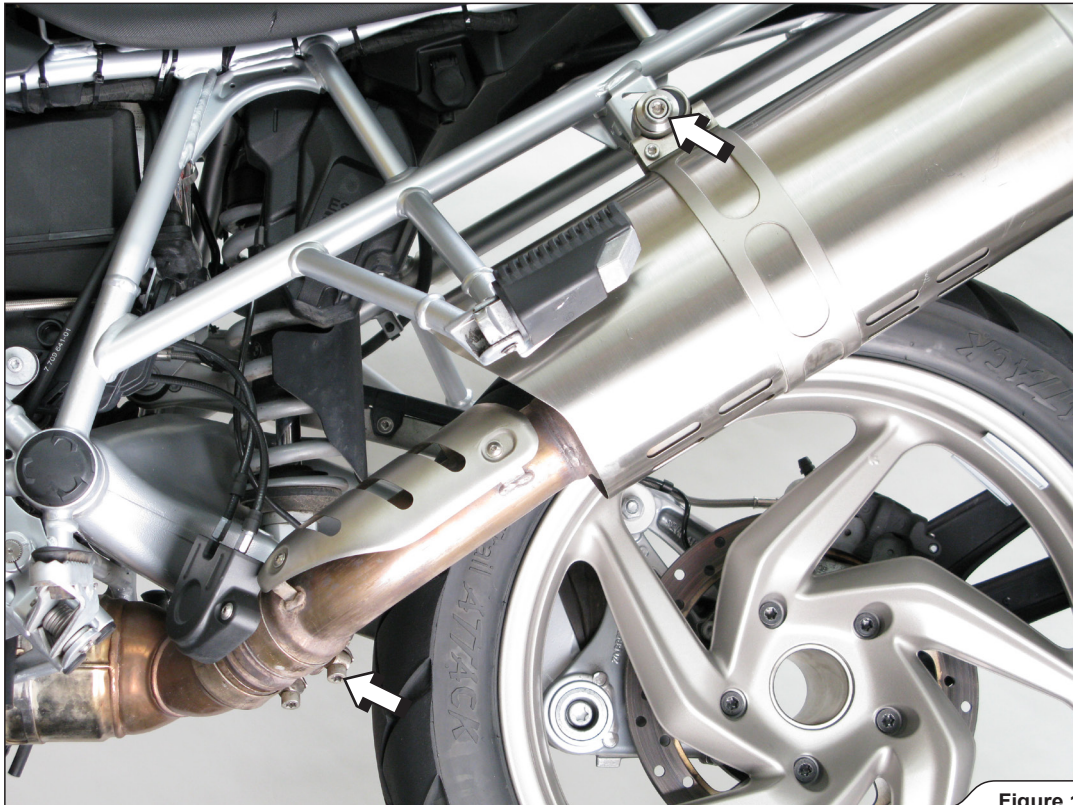


Figure 1

3. Unscrew the exhaust valves' clamp and partially remove the exhaust valve with exhaust valve cable (**Figure 2**).
! WARNING: do not disconnect the exhaust valve cable!

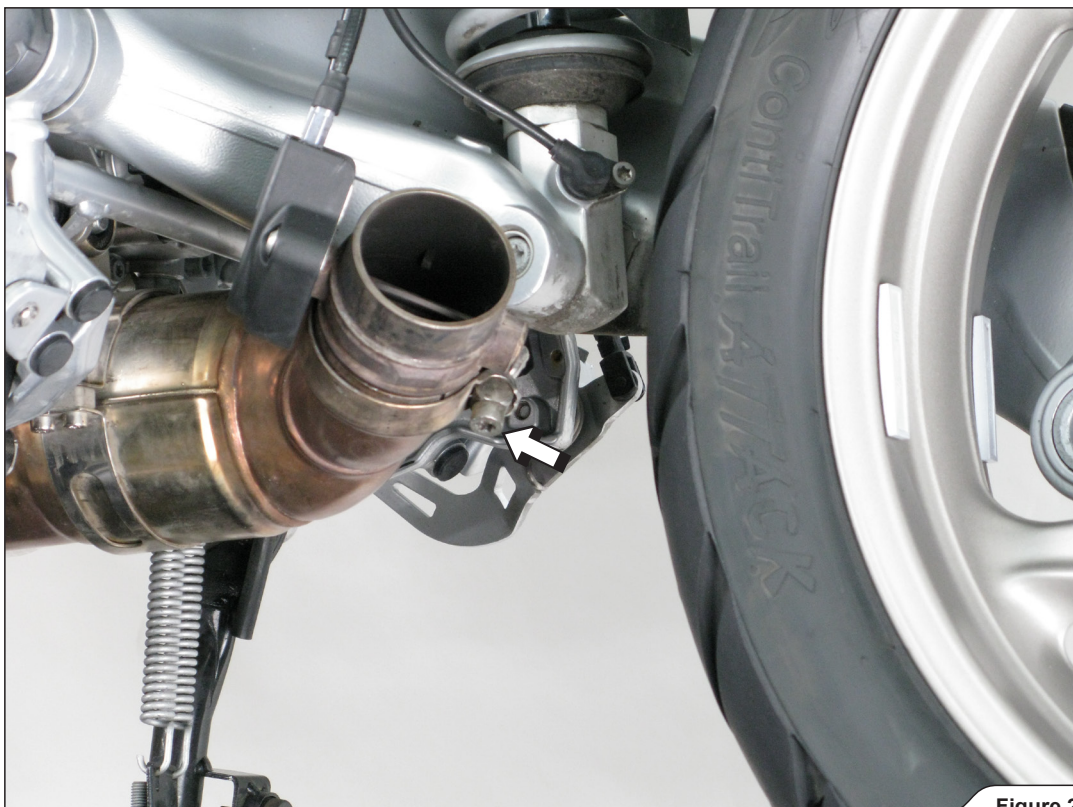


Figure 2

4. Unscrew and remove the belly shield off the motorcycle (**Figure 3**).



Figure 3

5. Unscrew the lambda sensor from the stock header tube. Perform the process on both sides of the motorcycle (**Figure 4**).

! **WARNING:** make sure not to damage the sensors' electrical leads during this procedure!

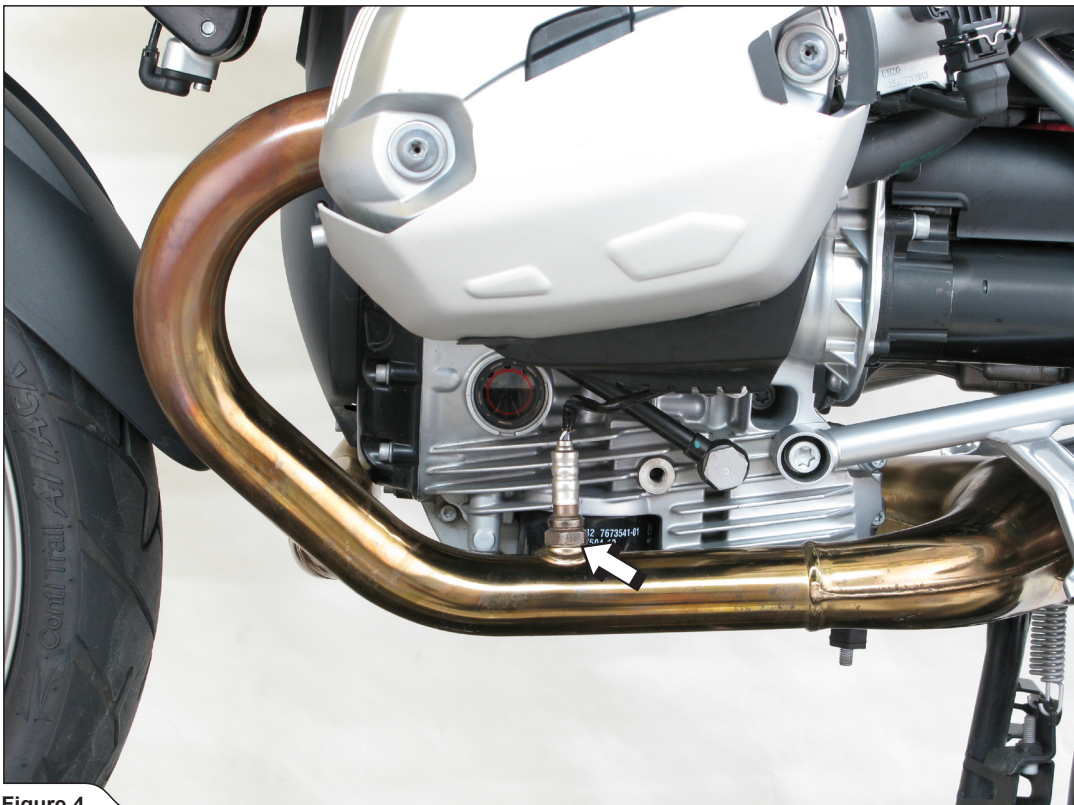


Figure 4

6. Unscrew the marked bolts from the metal clamp (Figure 5).



Figure 5

7. Unscrew the header tube flanges on both sides of the motorcycle and remove the header tubes (Figure 6).
! WARNING: make sure not to damage any part of the motorcycle during this operation!

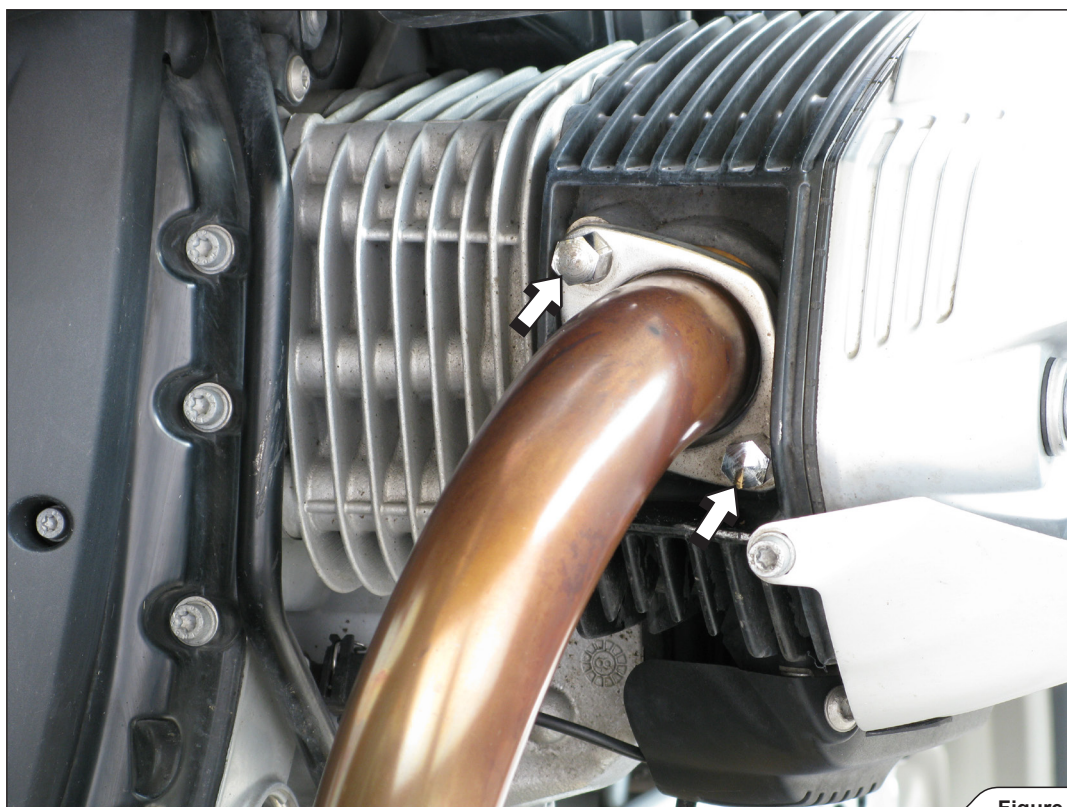


Figure 6

8. Unscrew the marked bolts and remove the stock heat shield of the stock link pipe (Figure 7).

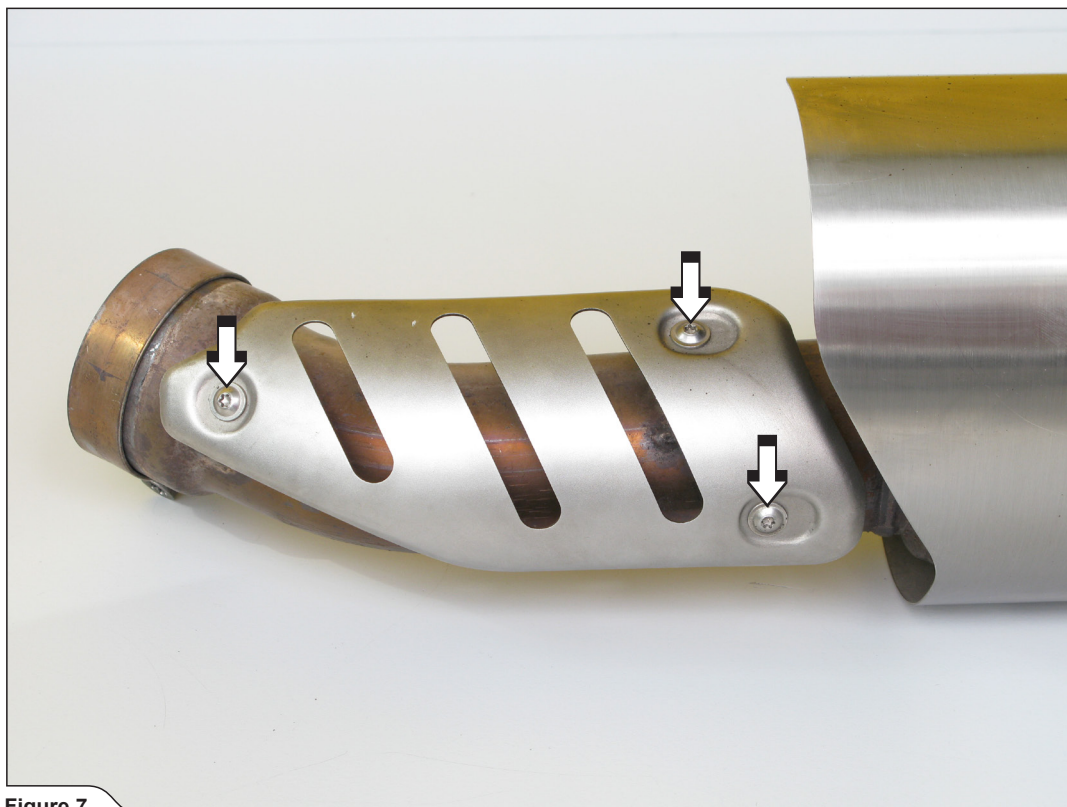


Figure 7

INSTALLATION OF THE AKRAPOVIČ EXHAUST SYSTEM:

1. Assemble the stock metal clamp and heat shield from stock muffler pipe onto the Akrapovič muffler pipe. For heat shield use stock bolts, washers and distance washer (marked) (Figure 8).

! WARNING: use anti-seize copper paste on clamp bolt threads and heat shield bolts threads!



Figure 8

2. Tighten the marked bolts to a specified torque (**Figure 9**).

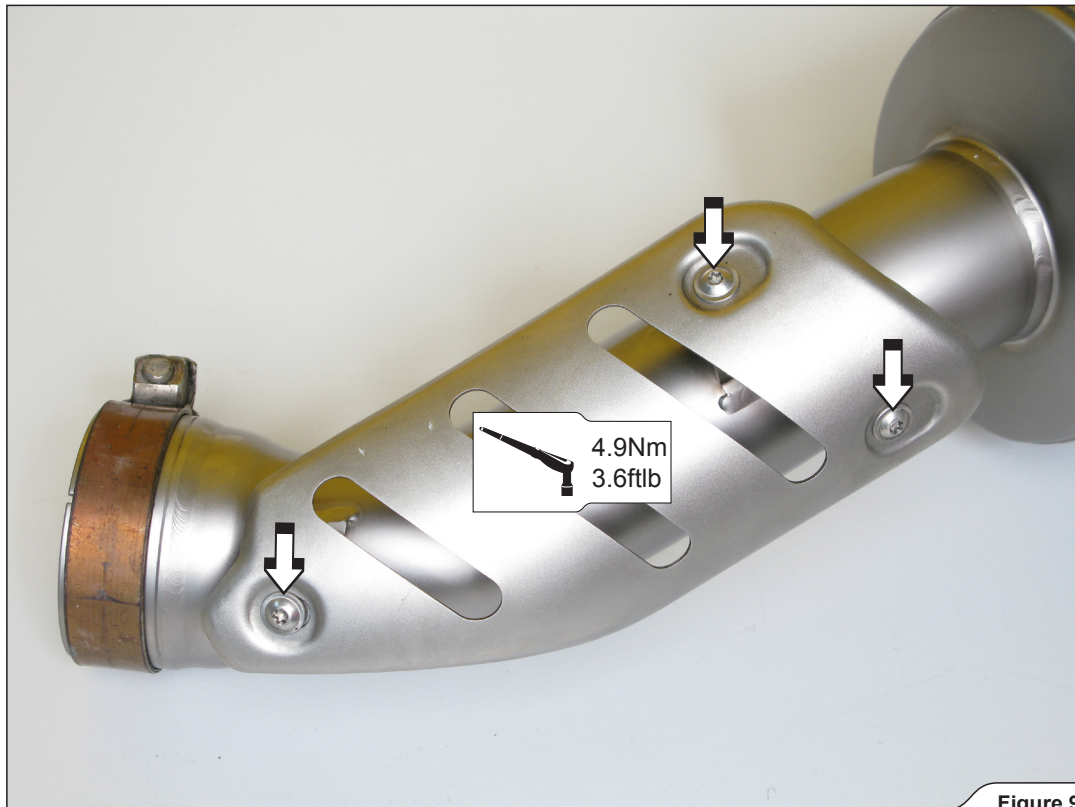


Figure 9

3. Set up the exhaust sleeves together with the flanges and springs; make sure they are correctly oriented. Tighten the flanges to a specified torque using stock nuts (**Figure 10**).

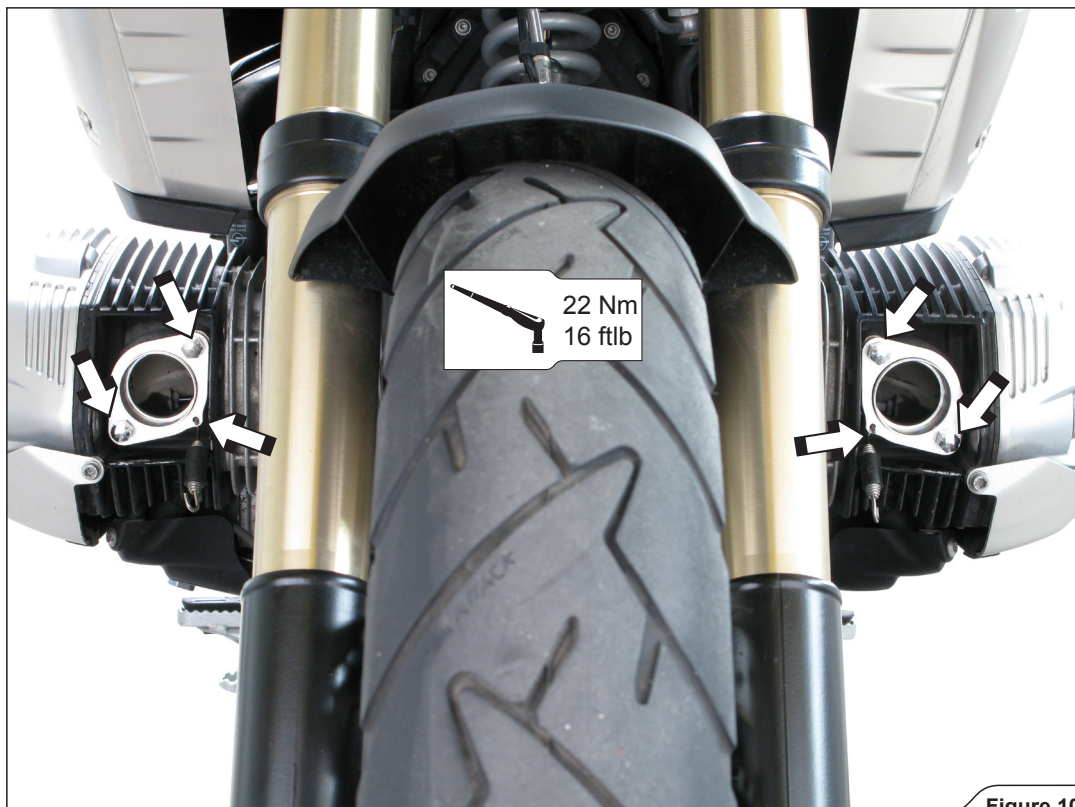


Figure 10

4. Insert the header tubes with crossover tube properly and attach the springs; tighten the lambda sensors (**Figure 11**).
! **WARNING:** make sure, that springs pull the headers all the way into the sleeves – use rubber mallet if necessary to tap the connections into place!
! **WARNING:** grease only the threads of the lambda sensor with Akrapovič anti-seize lead-free copper paste (black tube)!

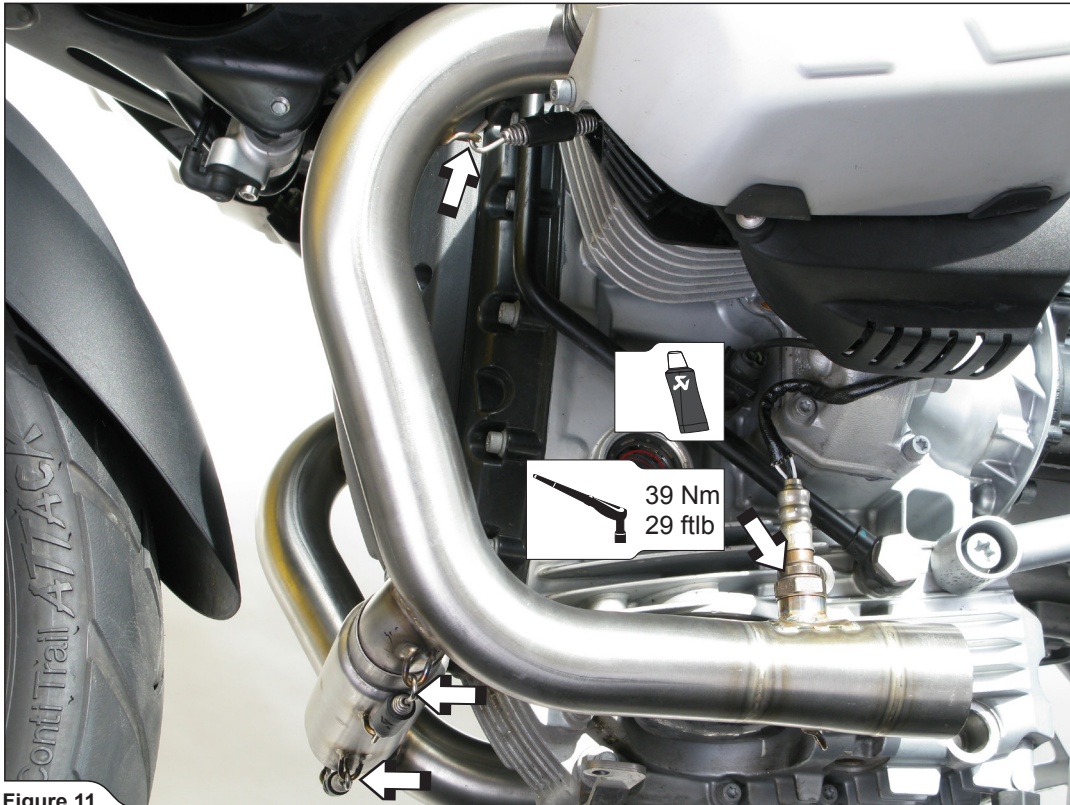


Figure 11

5. Correctly position and simultaneously slide the Akrapovič Y collector onto the header tubes and collector bracket onto the stock pin (**Figure 12, 13**).
! **INSTALLATION TIP:** for easier mounting, lubricate the rubber in the collectors' bracket.

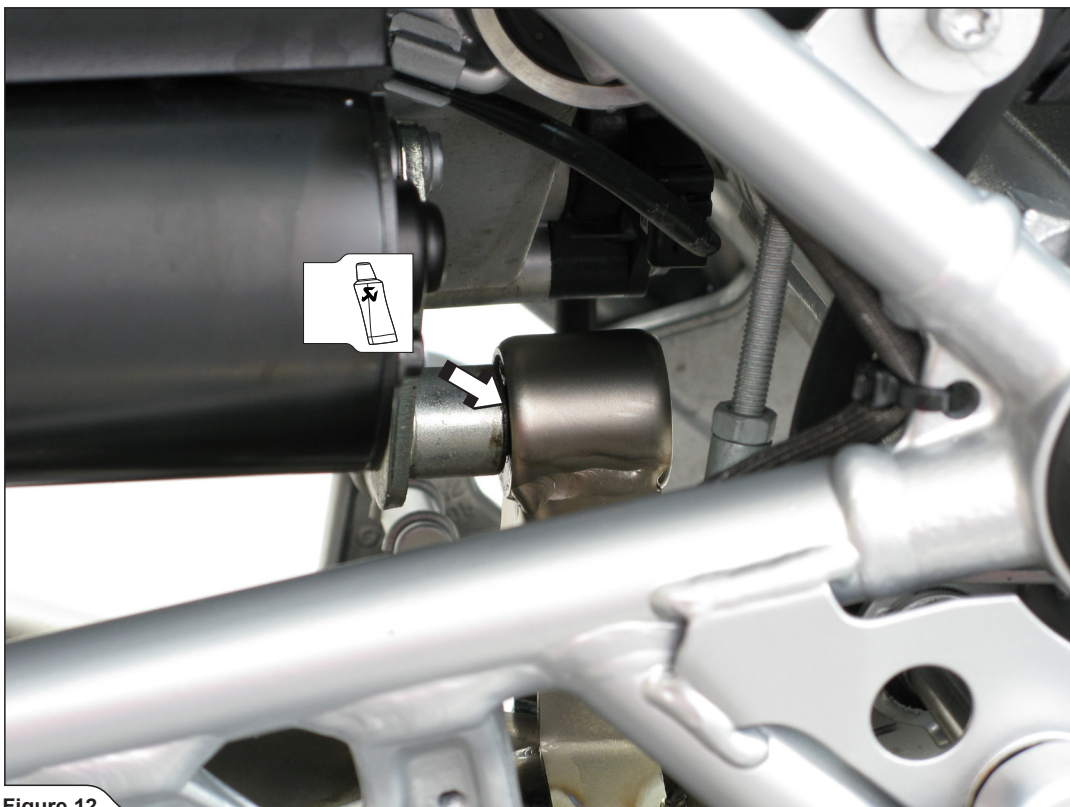


Figure 12

! **WARNING:** make sure, that springs pull the collector all the way onto the headers – use rubber mallet if necessary to tap the connections into place!

✂ **INSTALLATION TIP:** for Evolution exhaust system, coat the interior side of the input bushes of the titanium collector with Akrapovič ceramic anti-seizing grease (white tube).

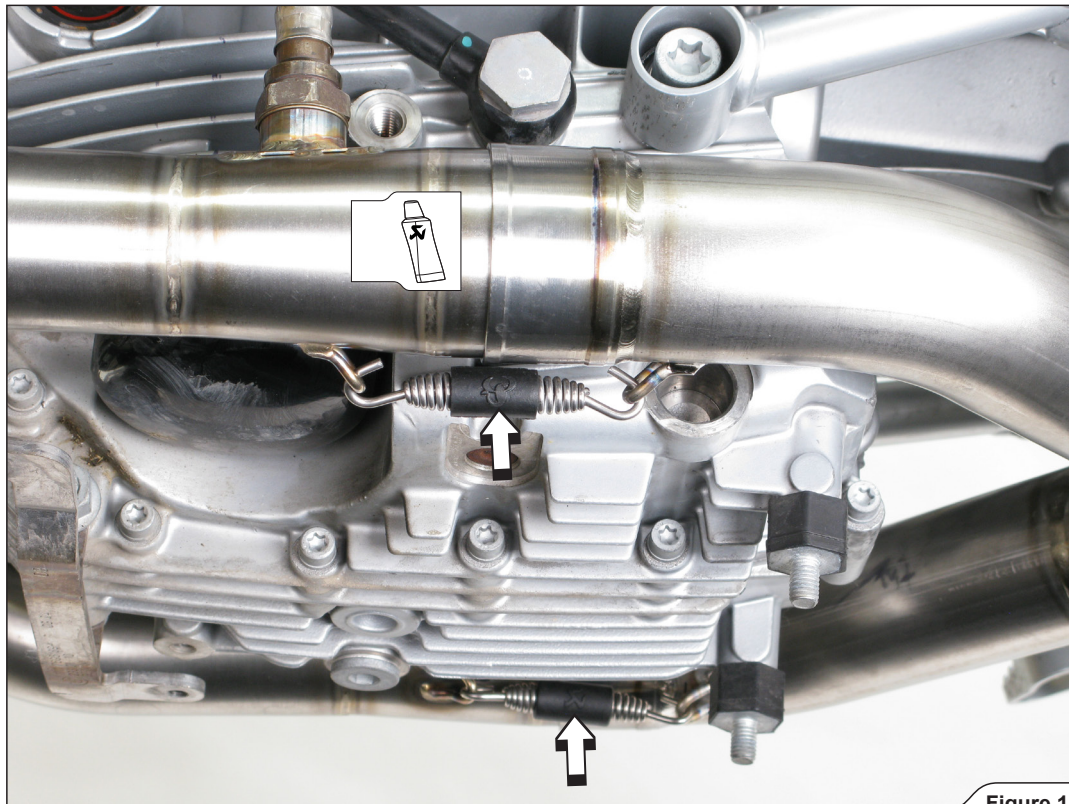


Figure 13

6. Attach the belly shield onto the motorcycle; tighten the marked bolts and nuts to a specified torques (Figure 14).

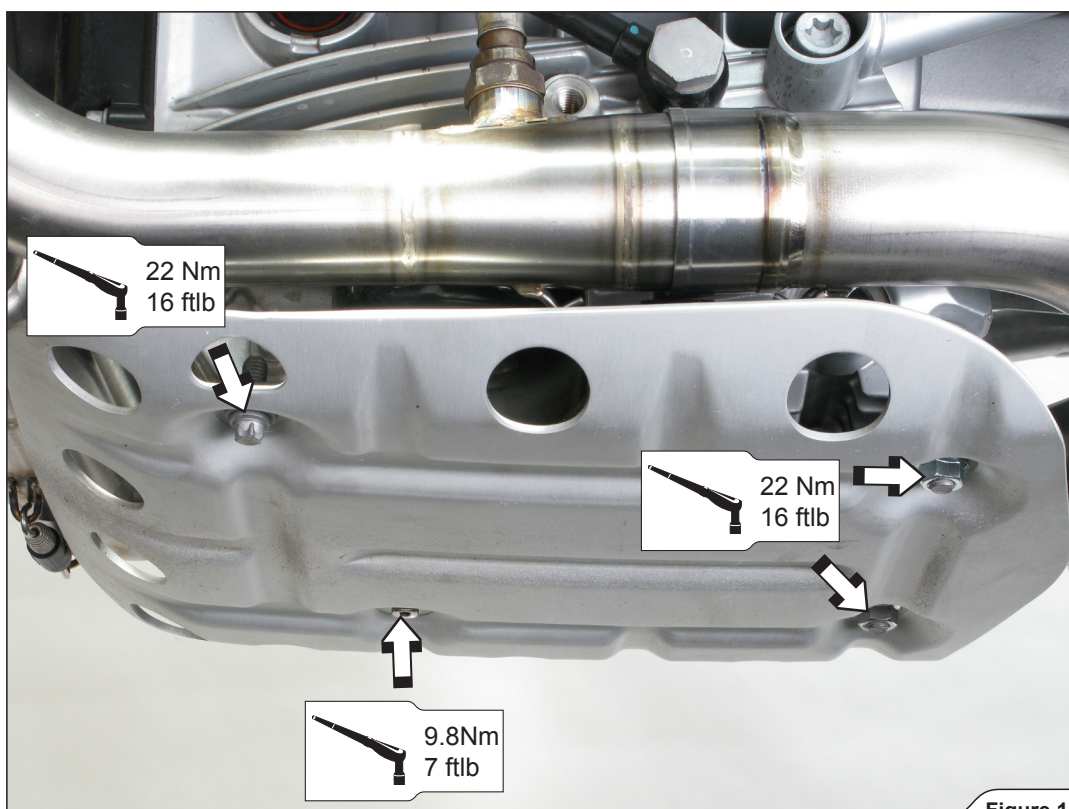
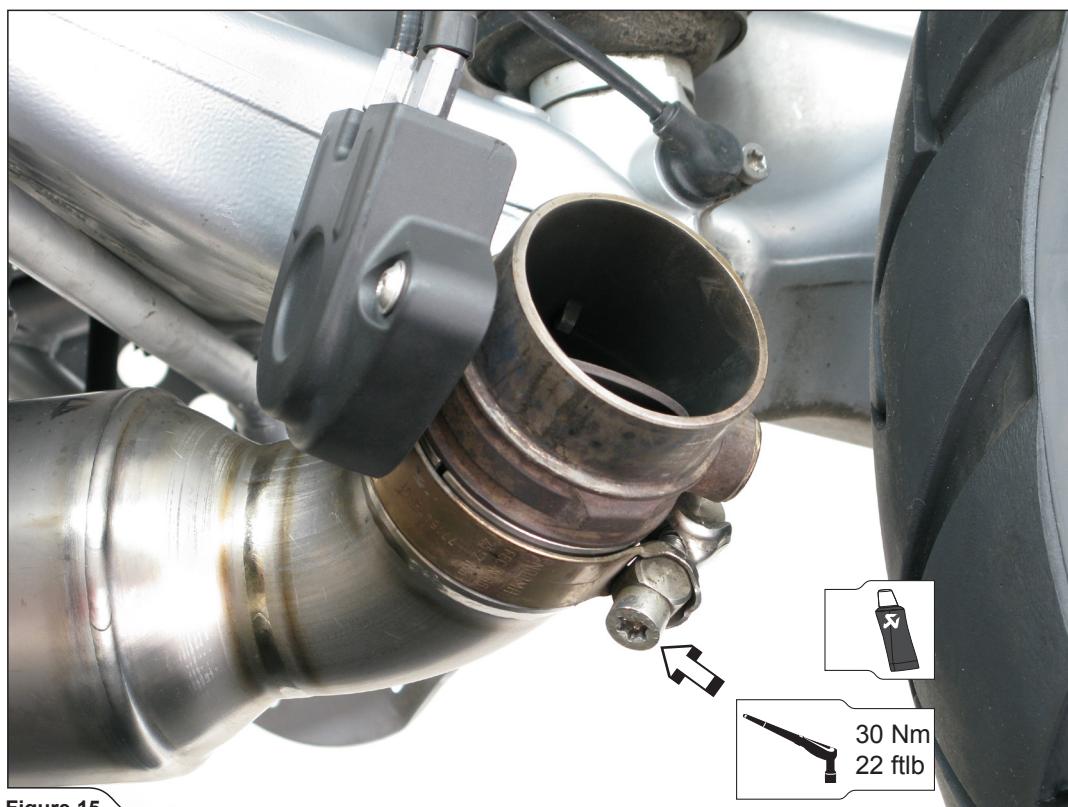


Figure 14

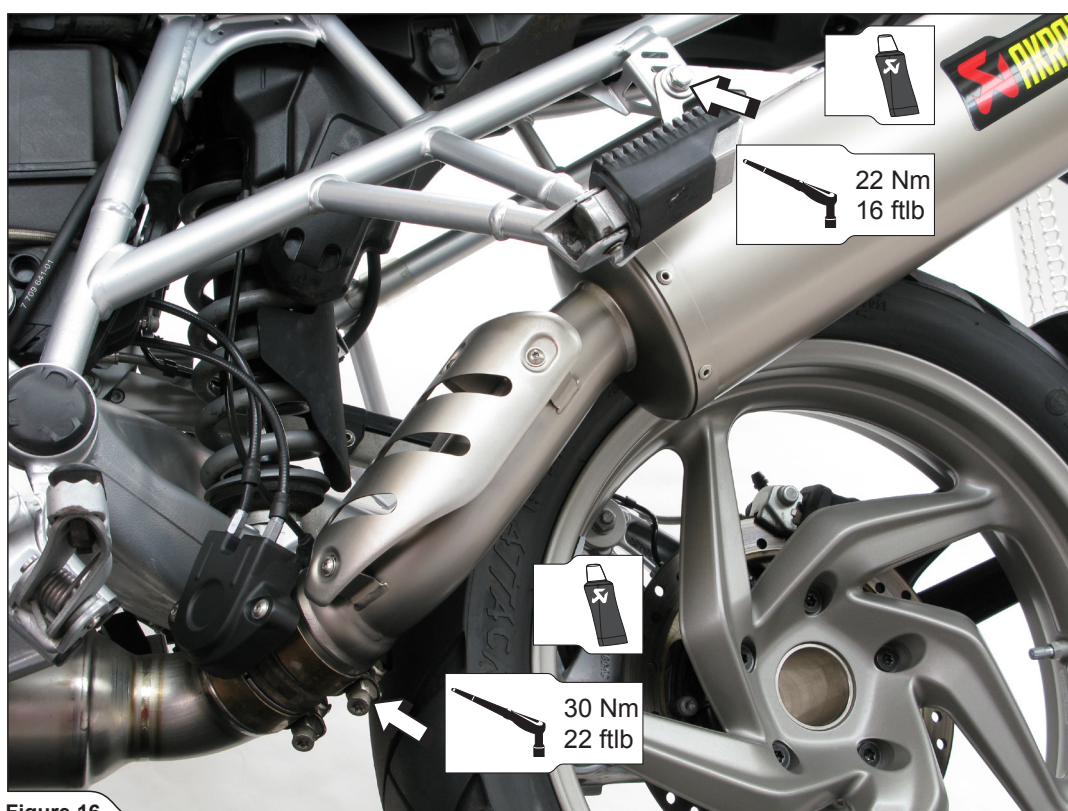
7. Correctly position and slide the stock exhaust valve onto Akrapovič Y collector. Tighten the stock metal clamp to a specified torque (**Figure 15**).

! **WARNING:** use anti-seize copper paste on stock clamp bolt threads!



8. Position the muffler correctly and slide it onto the outlet side of the stock exhaust valve. Align the muffler in respect to the motorcycle and tighten the marked bolts to a specified torques (**Figure 16**).

! **WARNING:** use anti-seize copper paste on bolt threads!



Final installation:

Clean grease spots:

- a. Muffler – titanium outer sleeve: use a soft cloth sprayed with a multi-purpose spray lubricant (WD-40 or equivalent).
- b. RACING - stainless steel link pipe, collector and header tubes: use a soft cloth sprayed with a contact cleaner, then wipe with a soft dry cloth.
- c. EVOLUTION - titanium link pipe, collector and header tubes : use a soft cloth sprayed with a multi-purpose spray lubricant (WD-40 or equivalent).

Cleaning will prevent spots from burning onto the surface. Do not use aggressive chemical cleaners, because they can damage the sticker.

! WARNING: make sure all the bolts are sufficiently tightened. In case the exhaust system touches the cowling or other parts repeat the adjustment of the exhaust system or contact your authorized dealer.

! WARNING: check vehicle manufacturer manual for tightening torques (for dismantled stock parts)!

! IT IS NORMAL IF WHITE SMOKE COMES OUT OF THE MUFFLER ON FIRST OPERATION.

! DO NOT STAND BEHIND THE MUFFLER ON FIRST OPERATION.

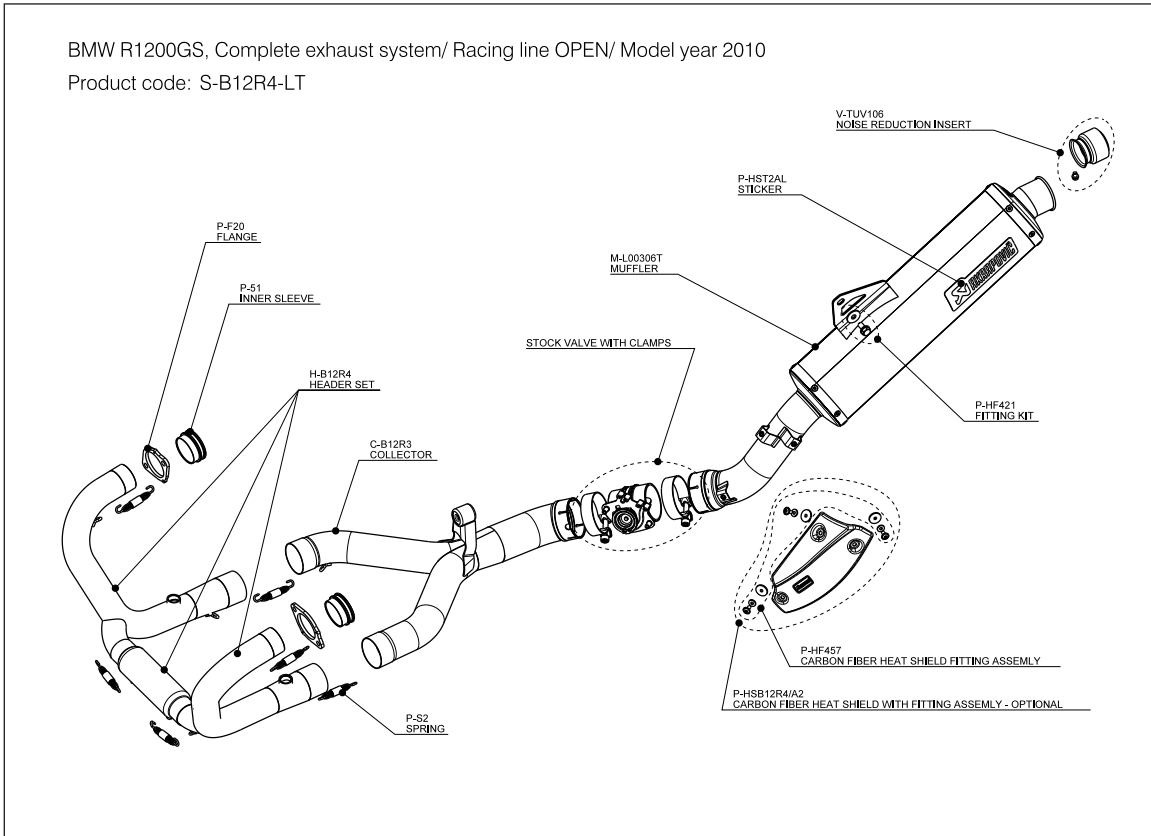
! DO NOT USE AUTOMOTIVE WHEEL CLEANERS OR ANY CLEANING PRODUCTS WHICH CONTAIN ACIDIC ADDITIVES TO CLEAN AKRAPOVIČ EXHAUST SYSTEMS.

MAINTENANCE OF THE AKRAPOVIČ EXHAUST SYSTEM

1. Clean the titanium exhaust components with a multi-purpose spray lubricant (WD-40 or equivalent), carbon fiber exhaust components with soft and dry cloth and stainless steel components with soft cloth sprayed with contact cleaner, then wipe with soft and dry cloth. A change in the color of the exhaust system is normal due to the high temperatures.
2. Periodically make sure all the bolts and springs are sufficiently tight.

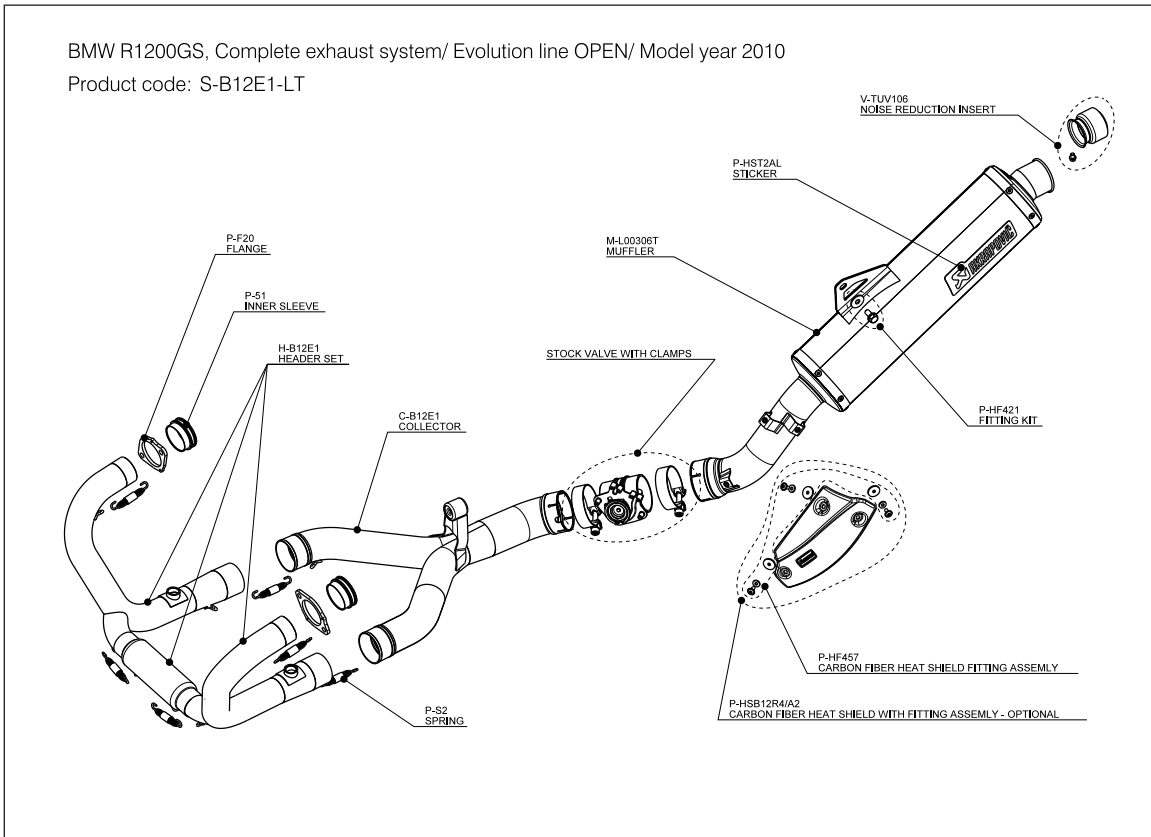
BMW R1200GS, Complete exhaust system/ Racing line OPEN/ Model year 2010

Product code: S-B12R4-LT



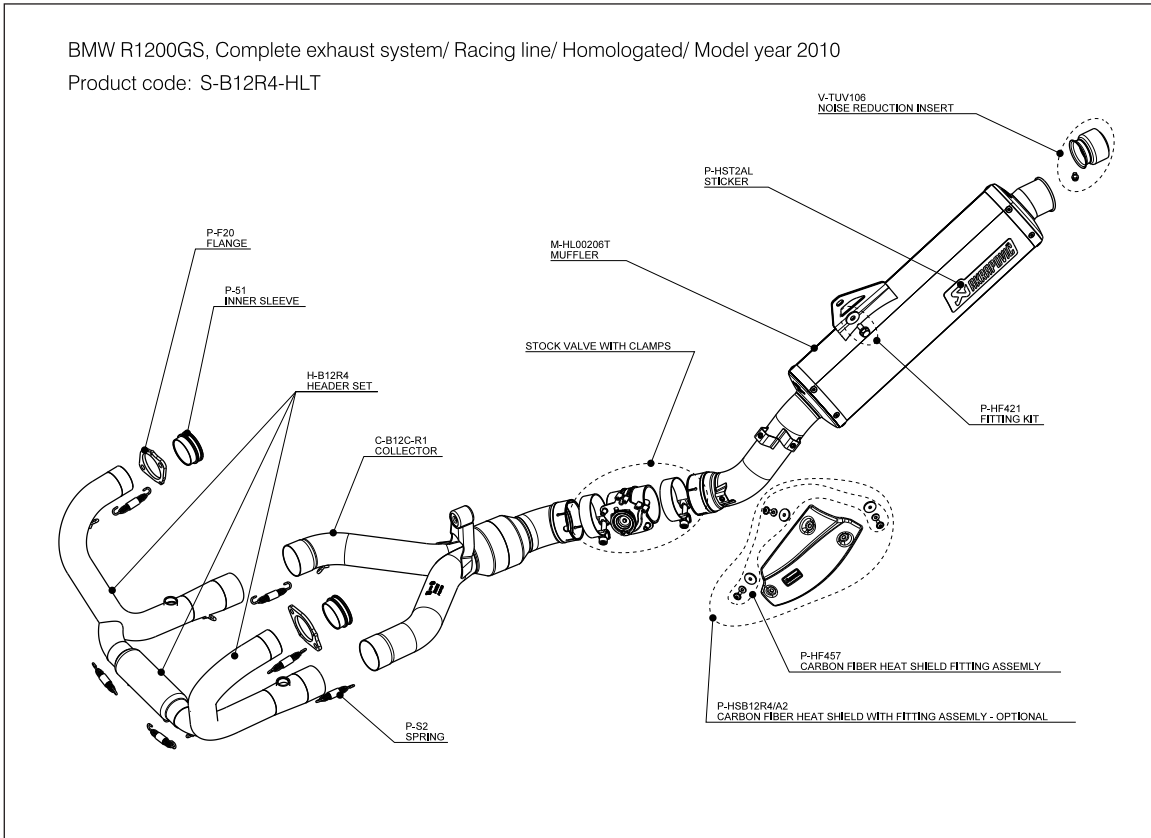
BMW R1200GS, Complete exhaust system/ Evolution line OPEN/ Model year 2010

Product code: S-B12E1-LT



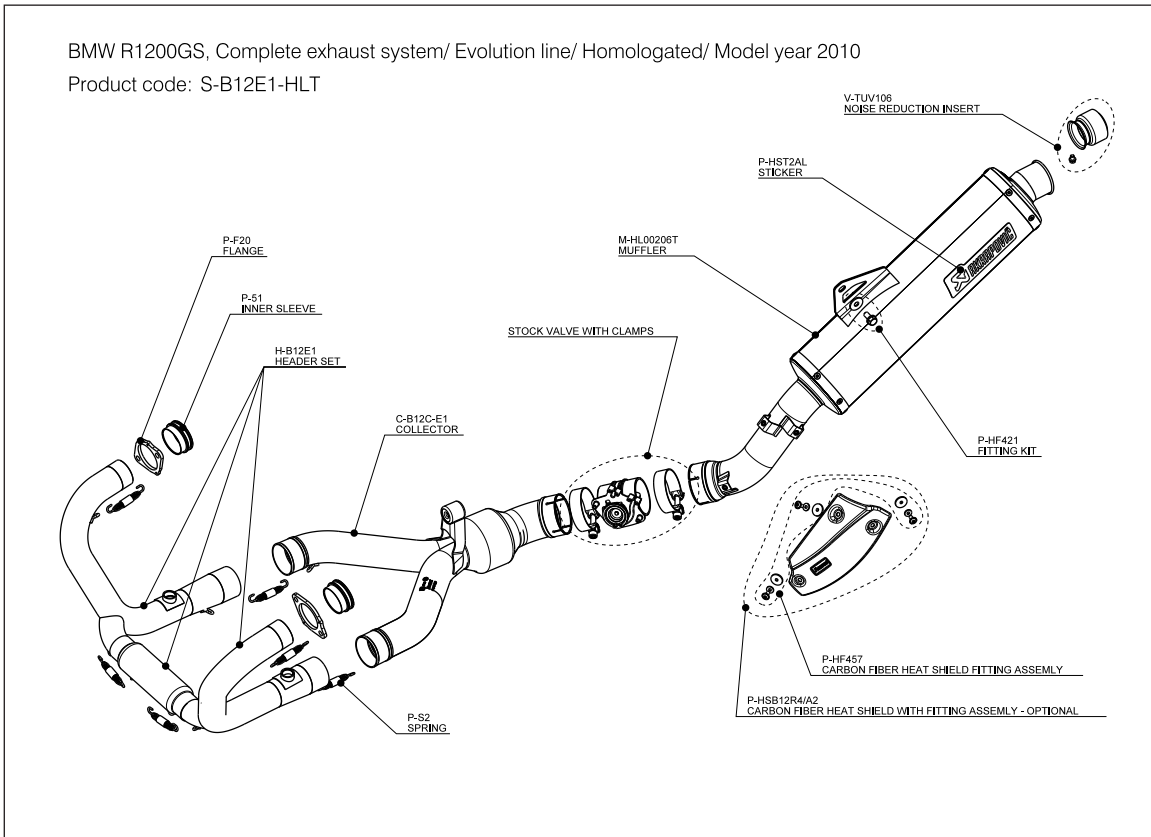
BMW R1200GS, Complete exhaust system/ Racing line/ Homologated/ Model year 2010

Product code: S-B12R4-HLT



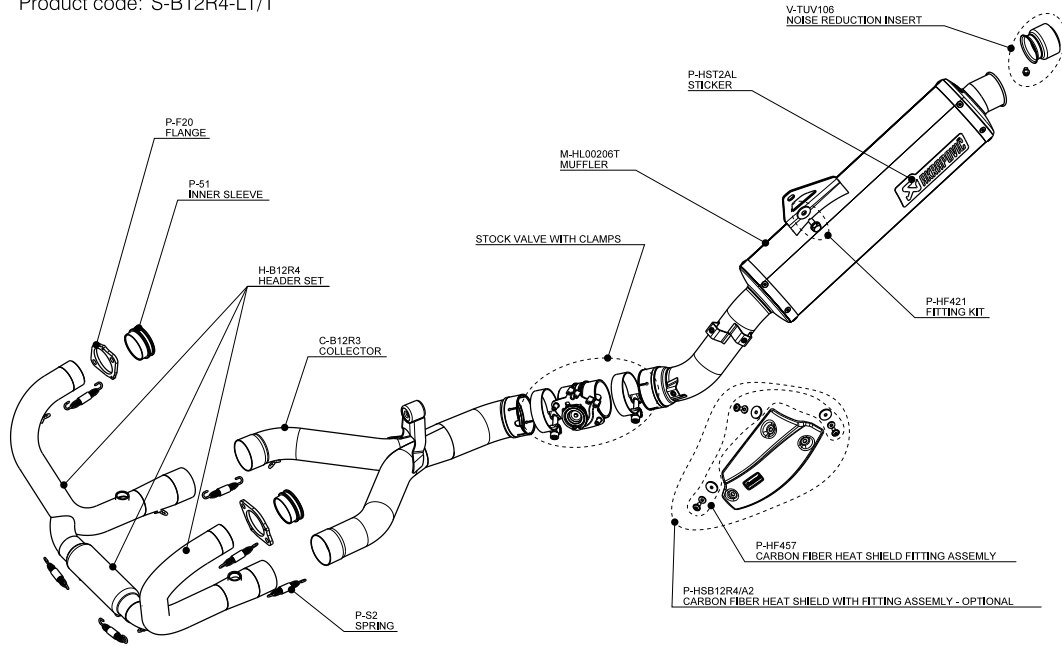
BMW R1200GS, Complete exhaust system/ Evolution line/ Homologated/ Model year 2010

Product code: S-B12E1-HLT



BMW R1200GS, Complete exhaust system/ Racing line with homologated muffler/ Model year 2010

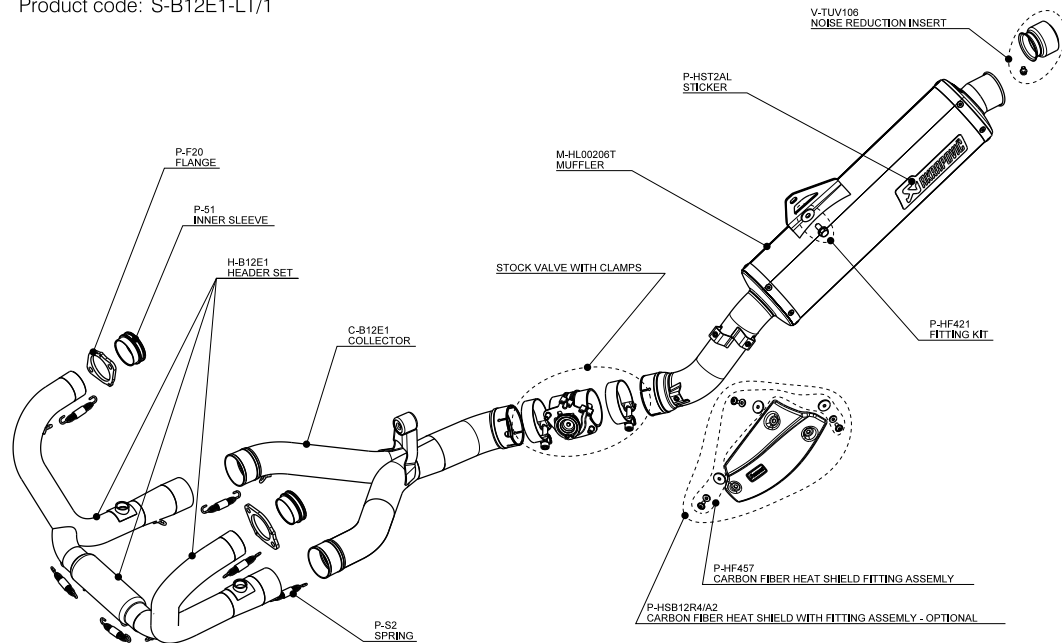
Product code: S-B12R4-LT/1



WARNING! IN CASE OF COMBINATION WITH RACING TUBE SET, THE SLIP-ON HOMOLOGATION IS NOT VALID!

BMW R1200GS, Complete exhaust system/ Evolution line with homologated muffler/ Model year 2010

Product code: S-B12E1-LT/1



WARNING! IN CASE OF COMBINATION WITH EVOLUTION TUBE SET, THE SLIP-ON HOMOLOGATION IS NOT VALID!

